



Wide, Hard, and Long Scale Model Series 1/72&1/48&1/32 scale Short S.17 Kent kit

28 April, 2023 Edition

Size dimension in this instruction is “millimeters” .

Designed by Toshihiko Shimizu

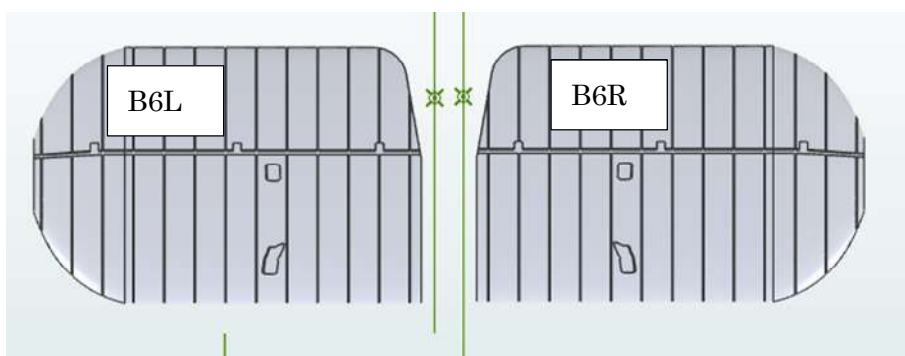
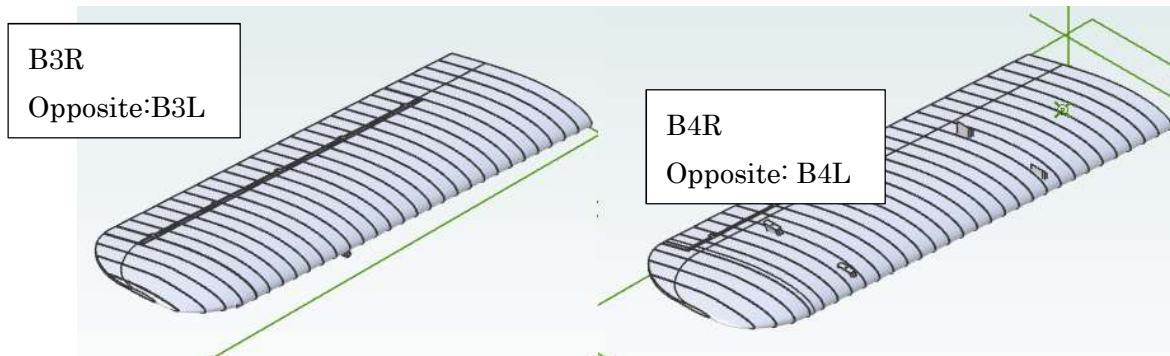
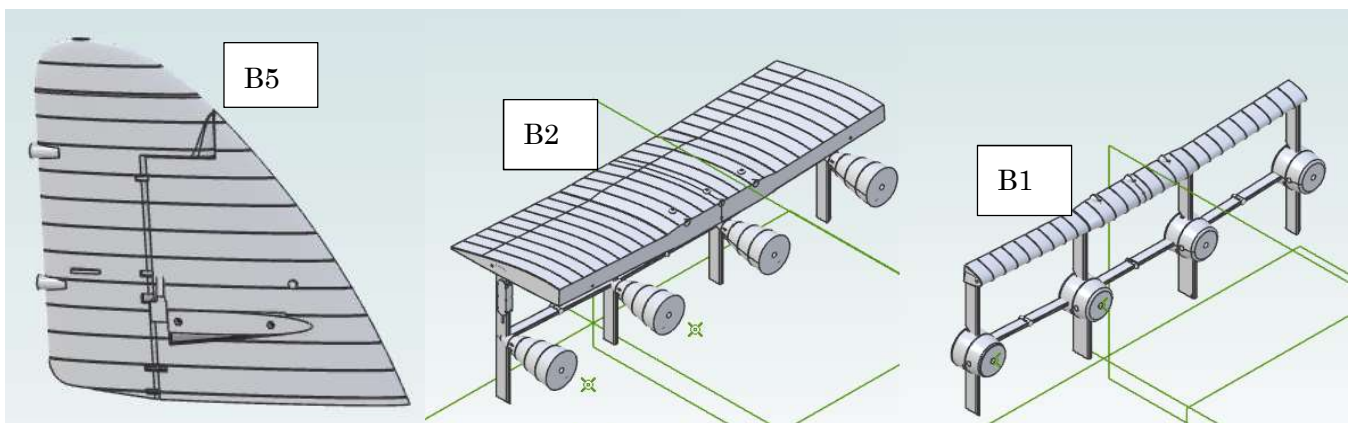
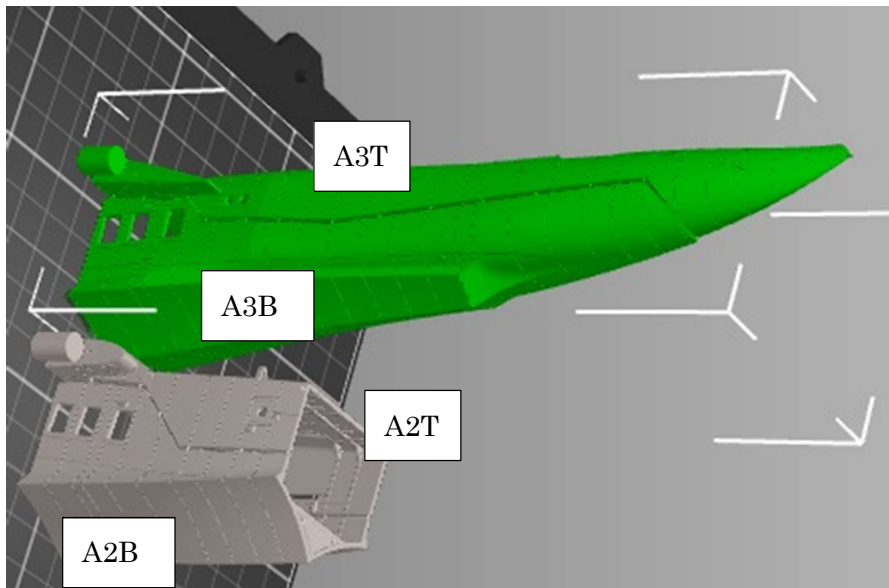
Printed in Japan

PETG filament, ABS filament, and resin Made in China

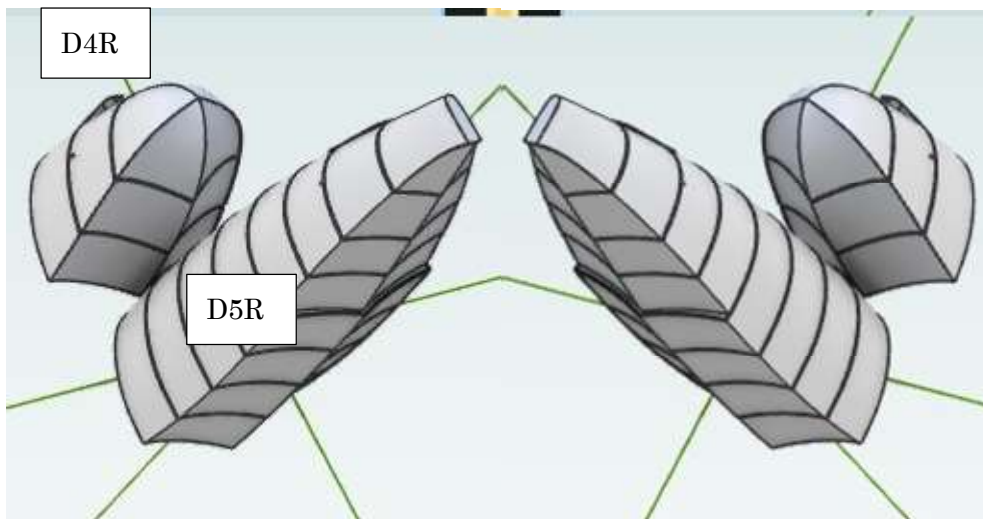
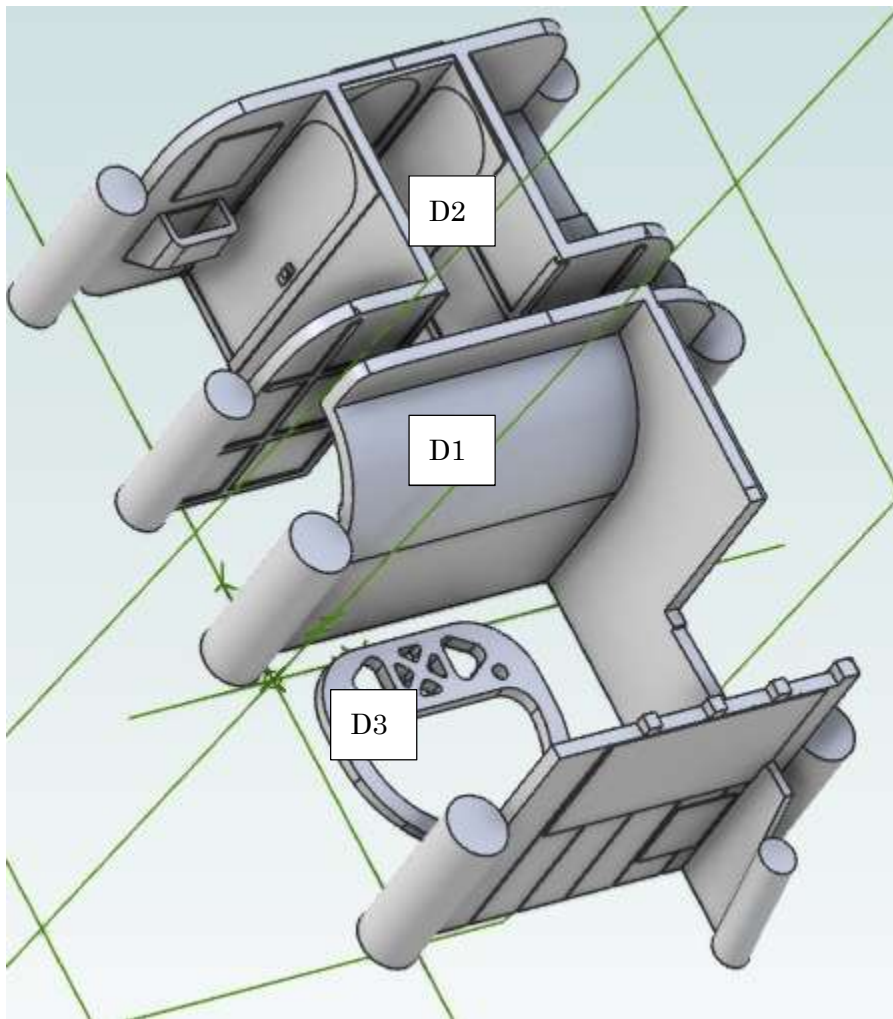
1 The kit inbox

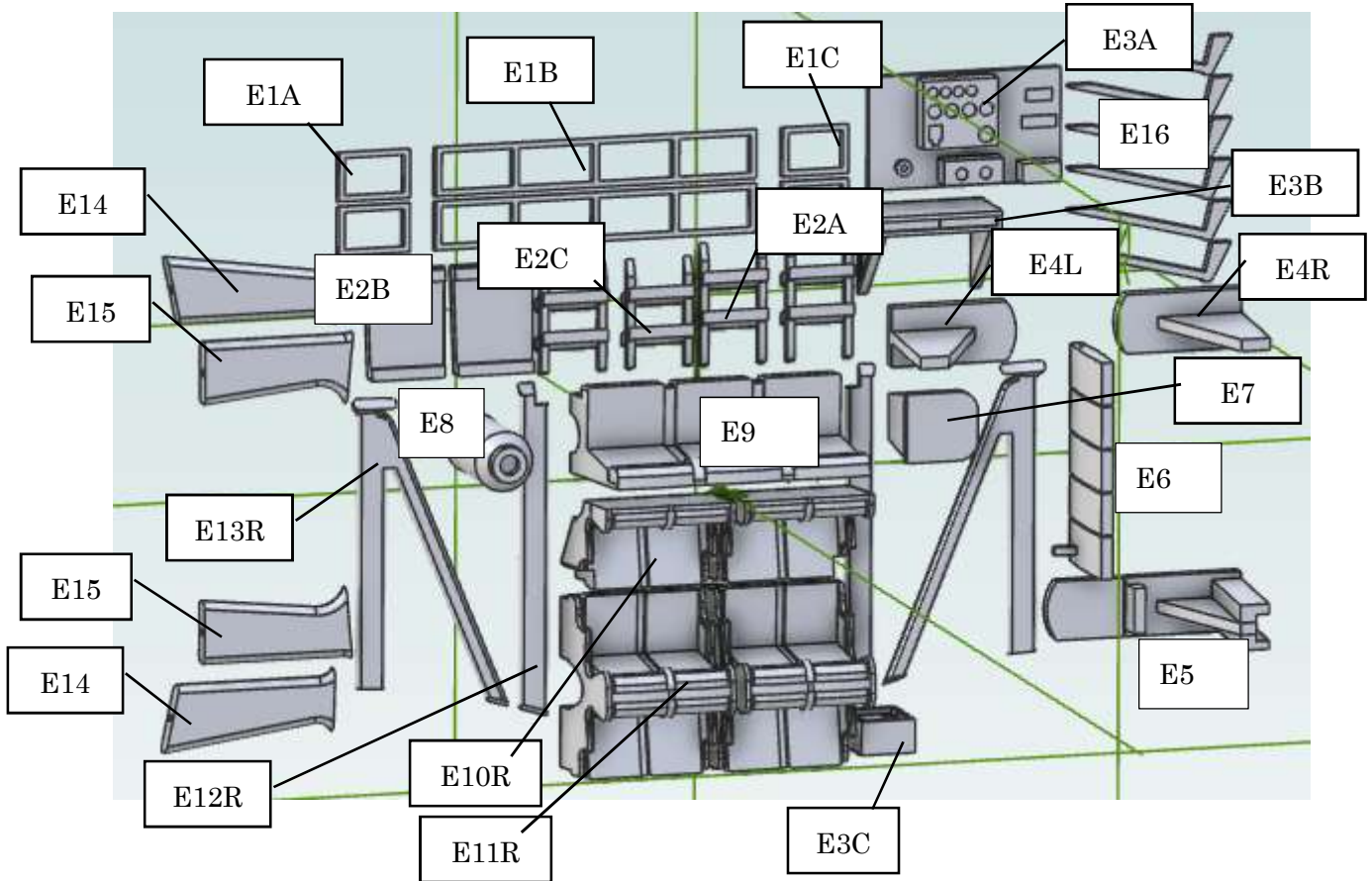
Wing and fuselage

(inside and outside burr should be removed carefully before painting or assembling)

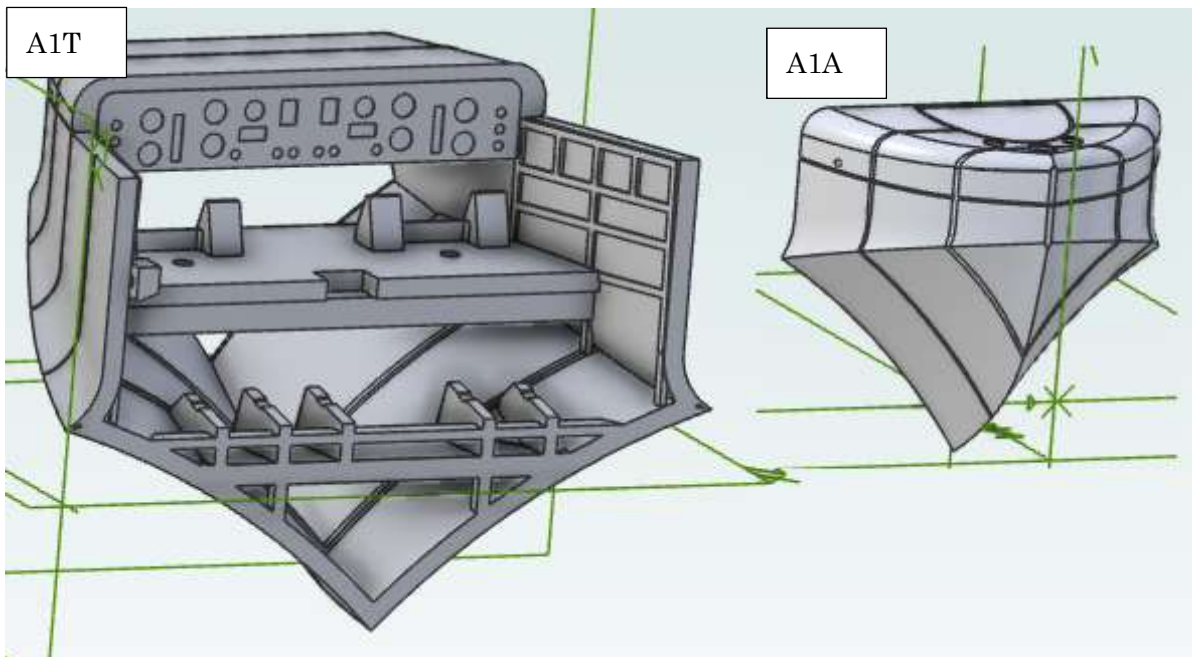


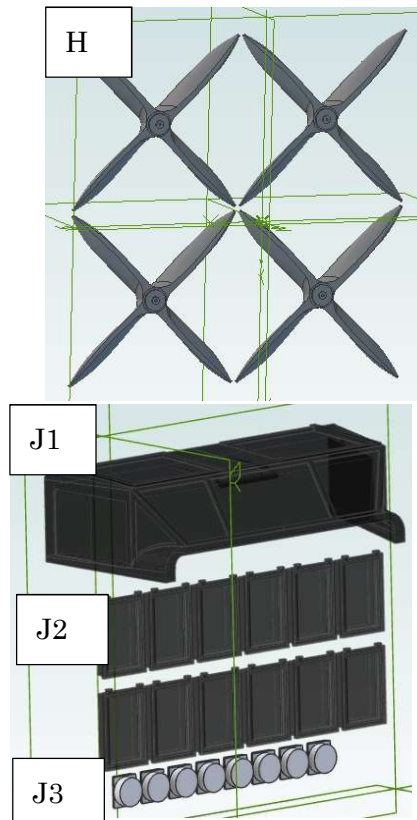
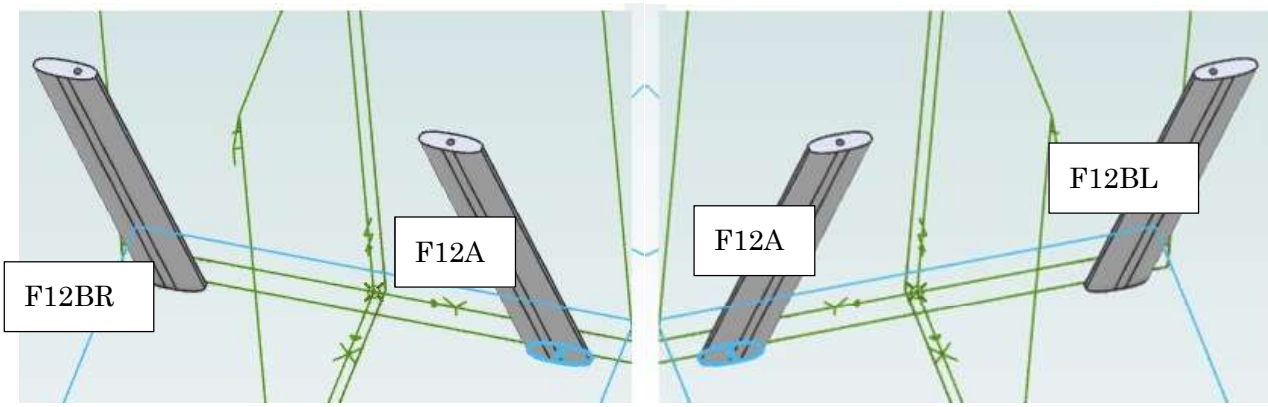
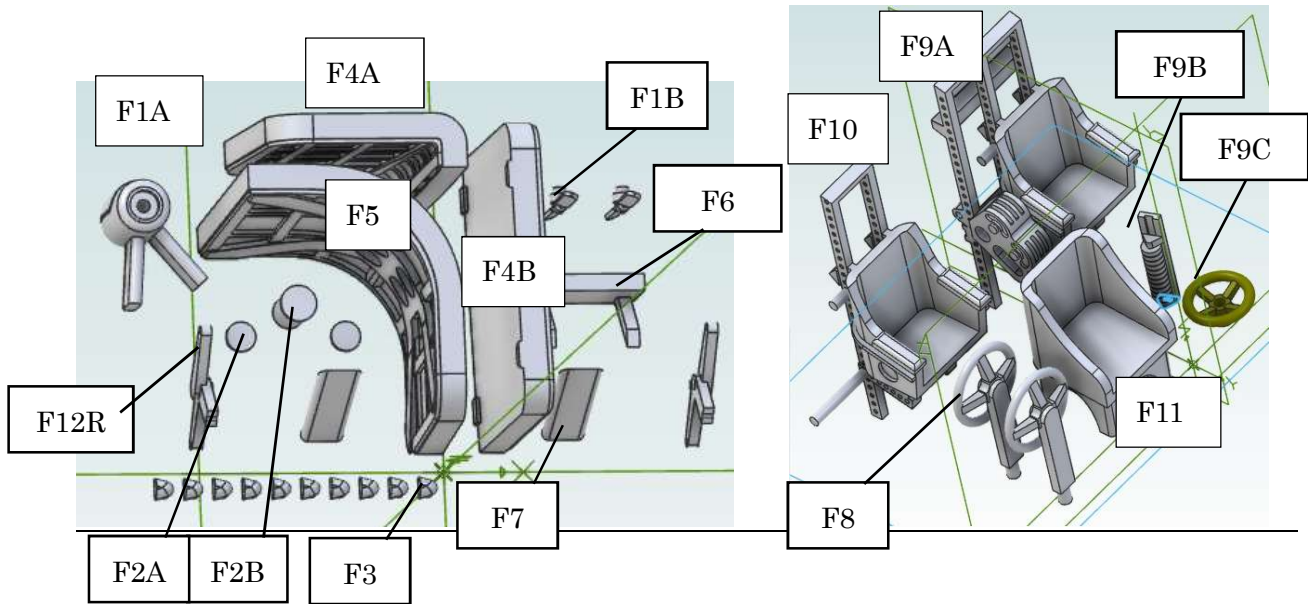
Interior and exterior accessories

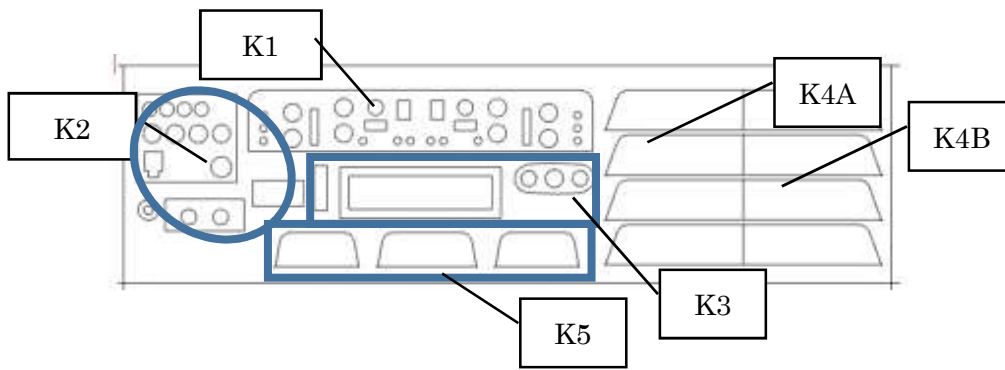




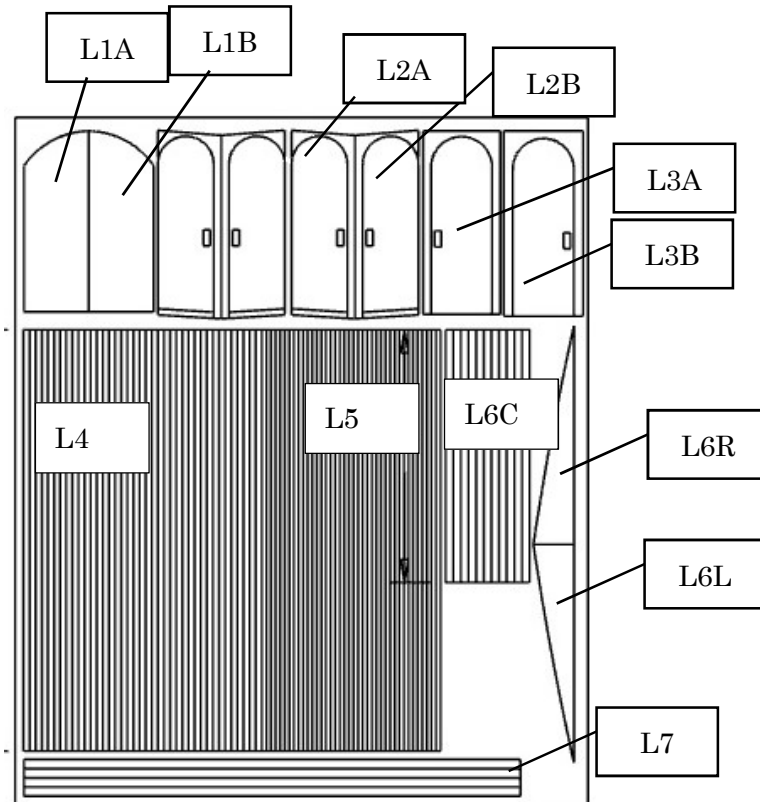
Resin parts



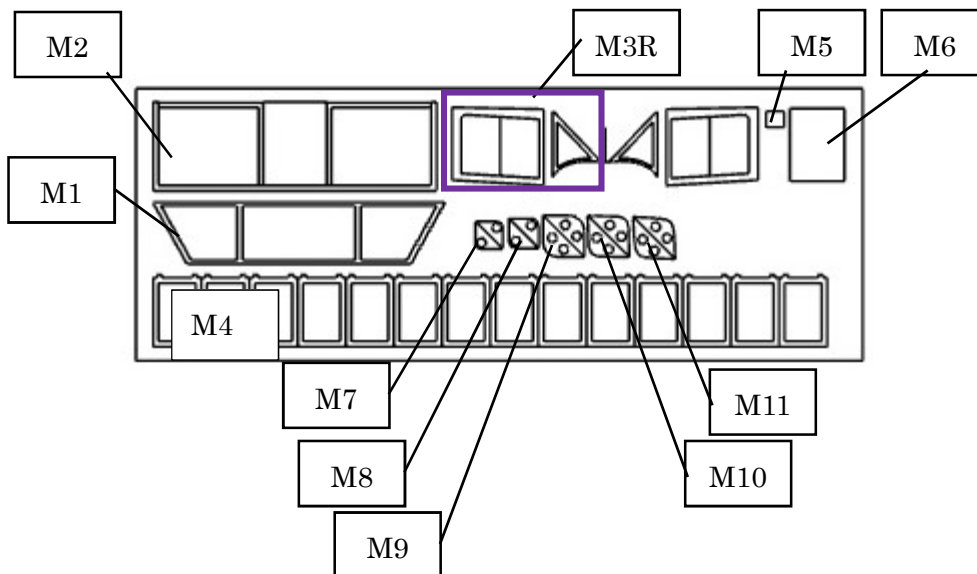


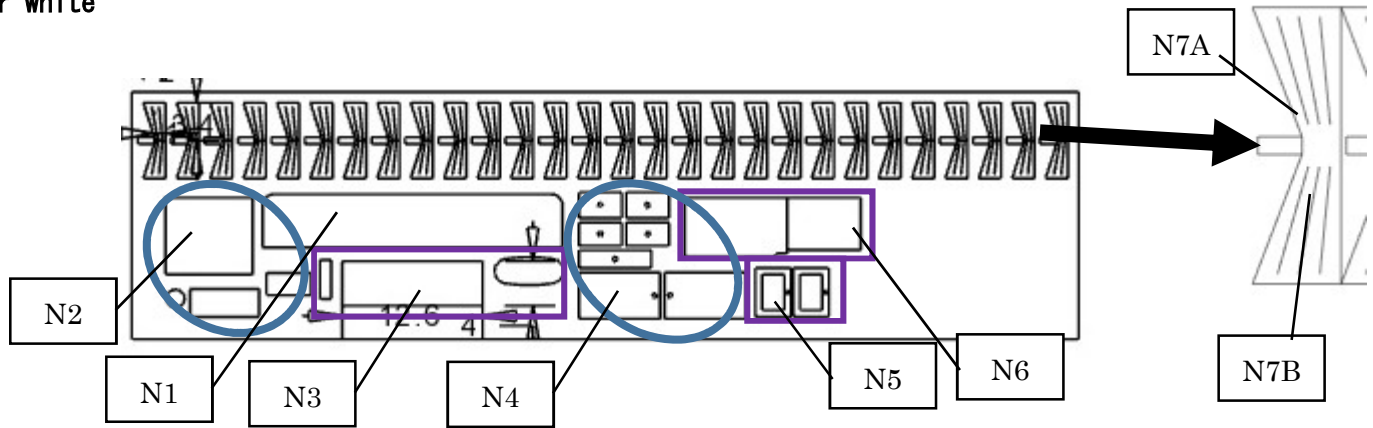


Sticker brown Sorry, J4 is not included in the initial version!!

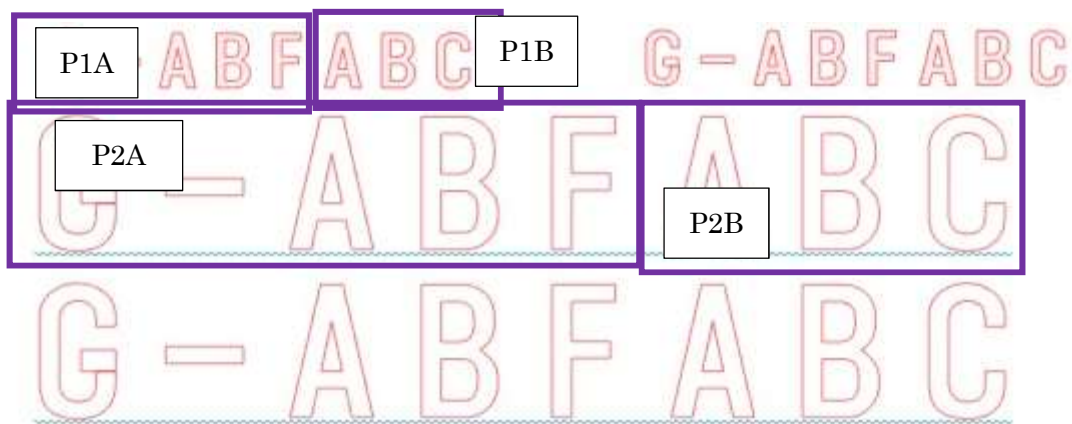


Sticker silver

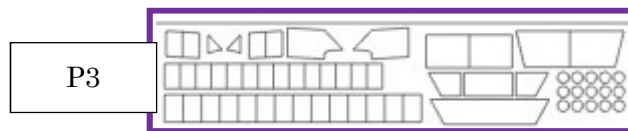




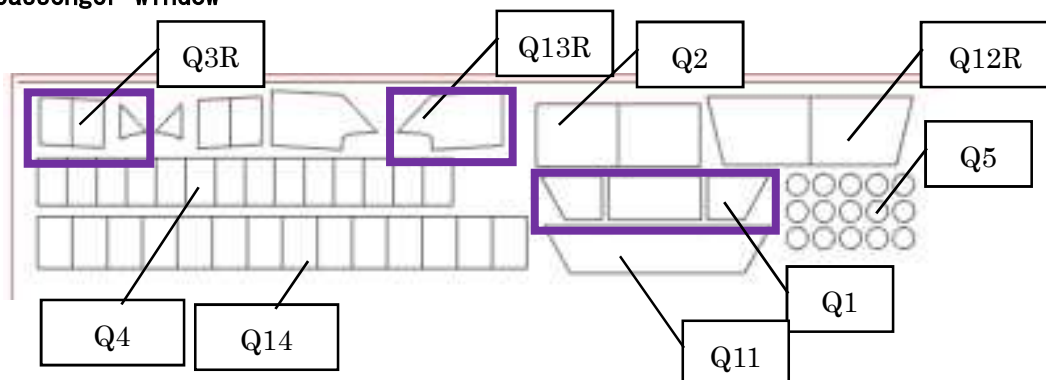
Sticker character (usually white but would be a different color)



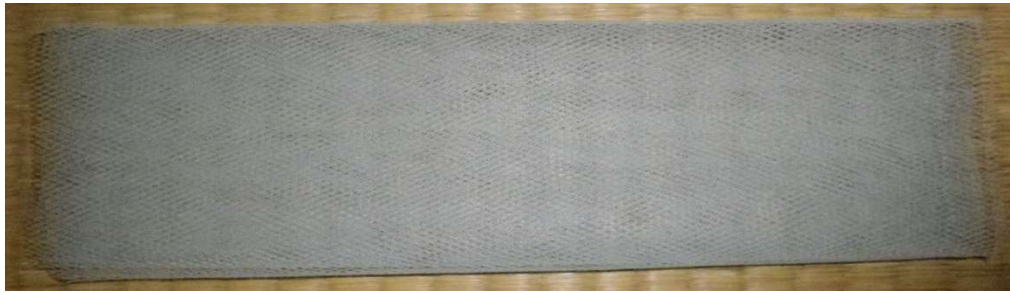
Masking tape



Clear tape for passenger window



Net for baggage rack



Dowels

1/72: ϕ 1.8mm bamboo, ϕ 0.6mm ϕ 0.8mm ϕ 1.0mm brass rod, ϕ 1.0mm PS rod, ϕ 1.2mm brass wire

1/48: ϕ 3.0mm bamboo, ϕ 0.8mm ϕ 1.2mm brass rod, ϕ 1.0mm PS rod, ϕ 1.8mm aluminium wire



Sand paper set and PS plate

