



Wide, Hard, and Long Scale Model Series

1/72&1/48&1/32 scale Lockheed L-188A Electra kit

13 October, 2022 Edition

Size dimension in this instruction is “millimeters” .

Designed by Toshihiko Shimizu

3D printed in Japan

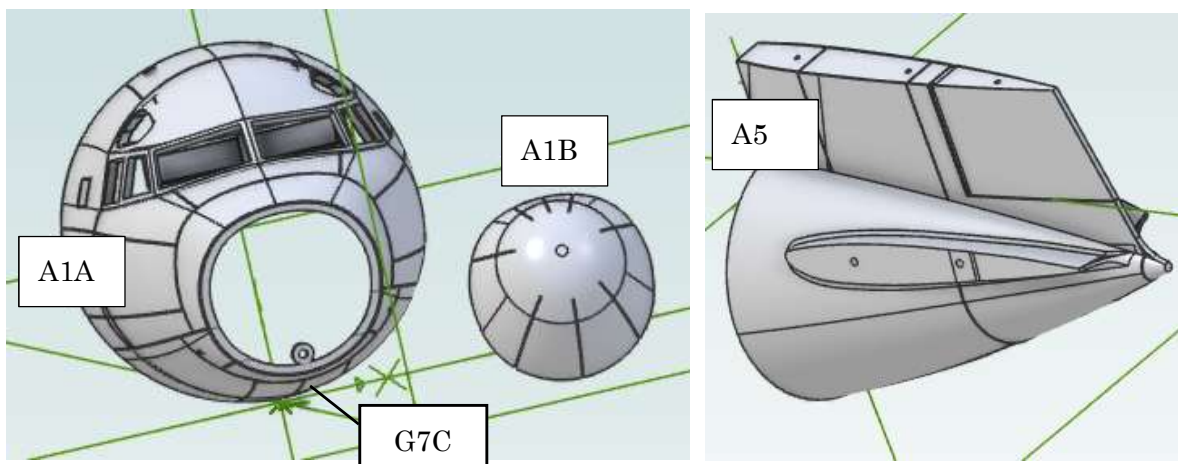
ABS and HIPS filament for 3D printers Made in Taiwan or China

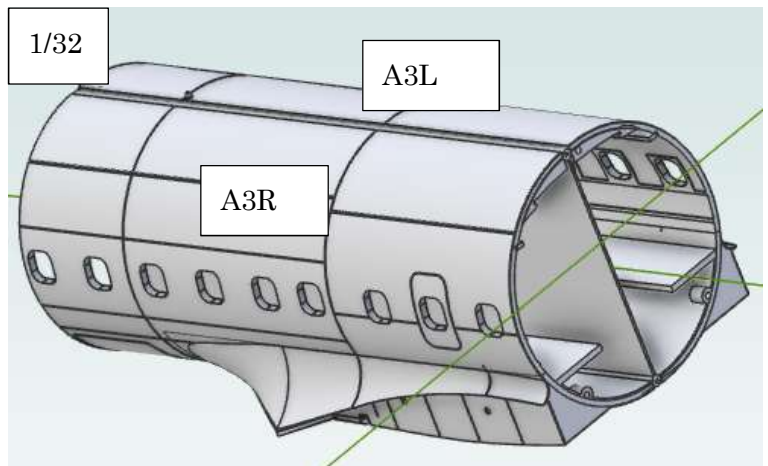
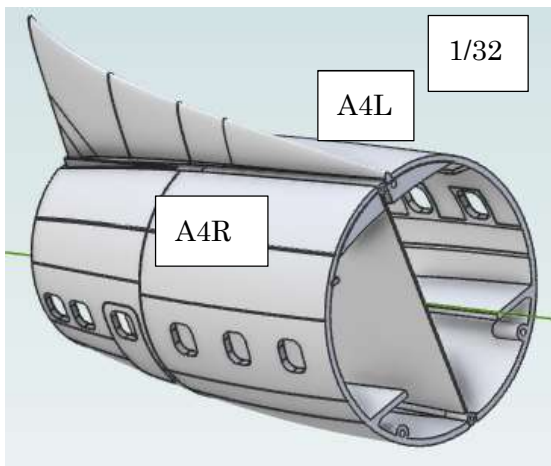
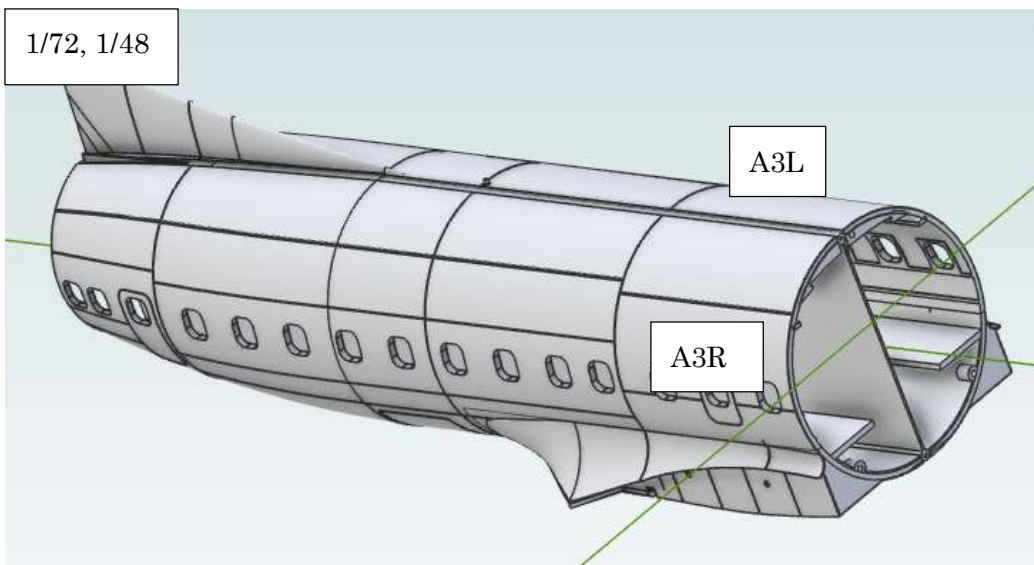
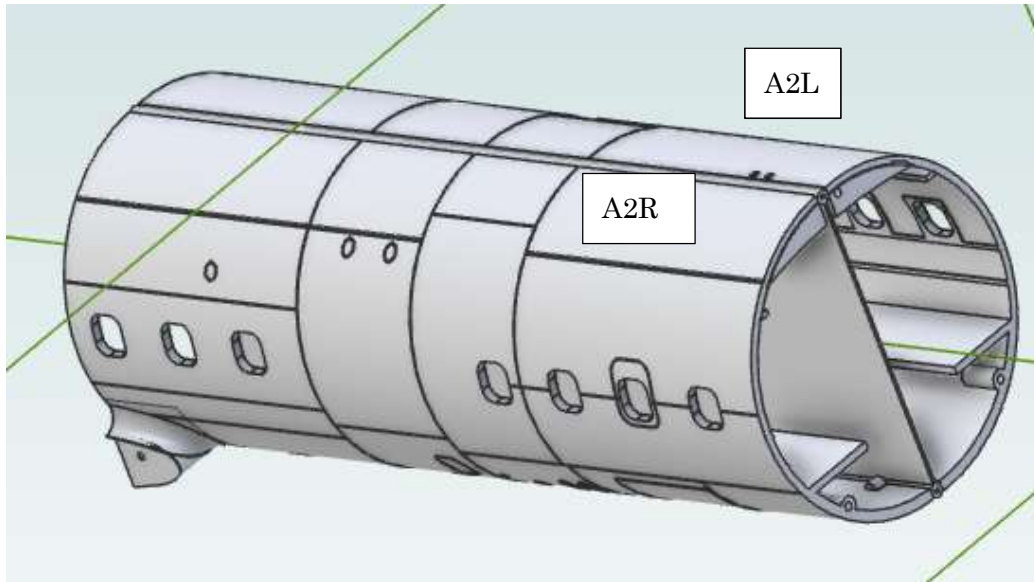
1 The kit inbox

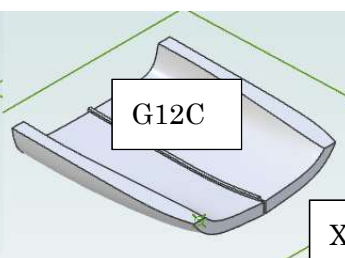
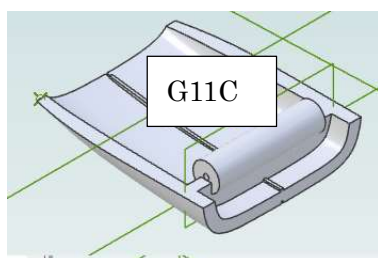
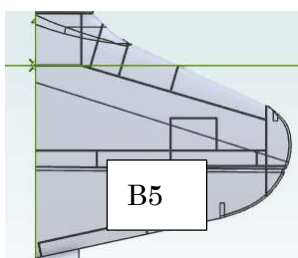
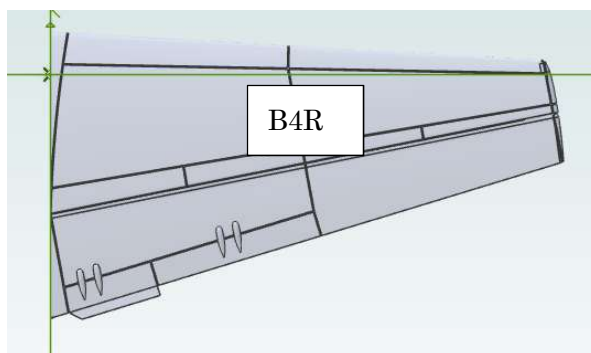
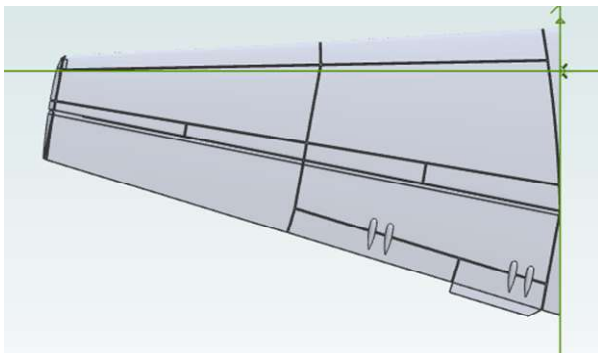
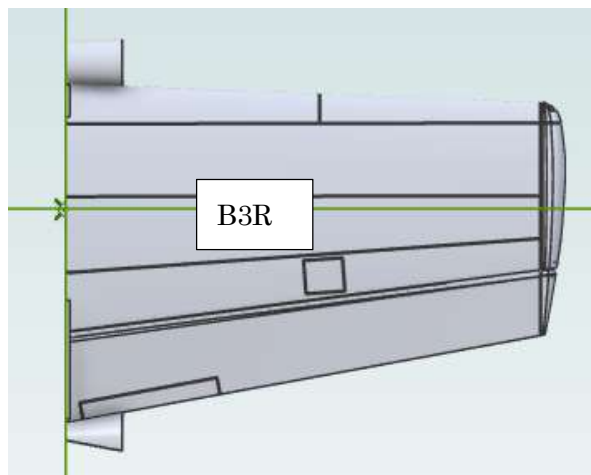
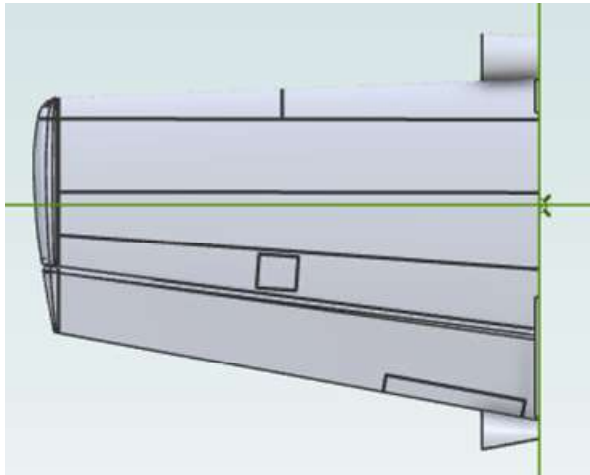
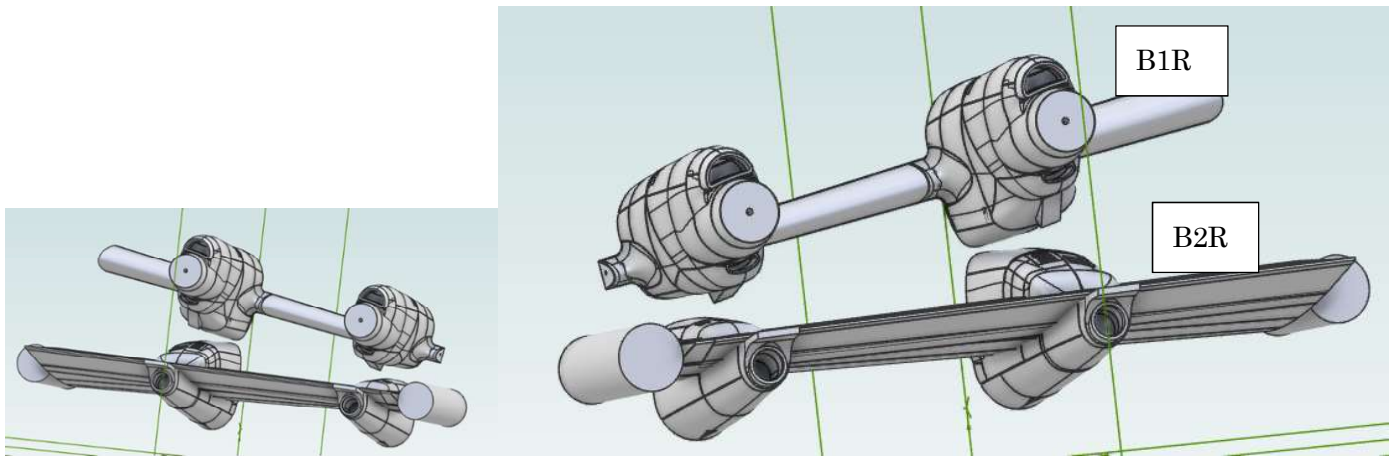
These following fuselage images are airliner ver. But parts separation arrangement is same.

Wing and fuselage

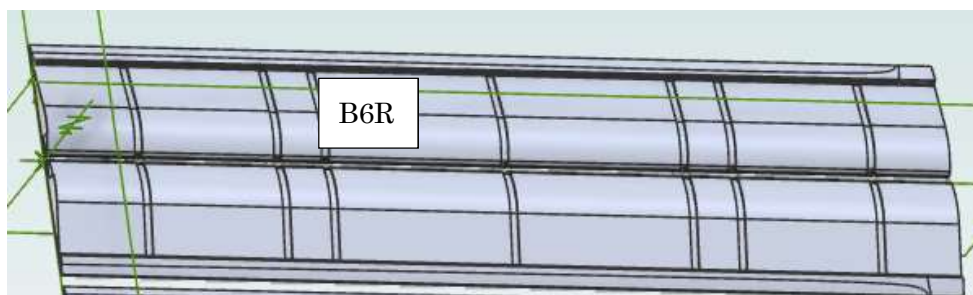
(inside and outside burr should be removed carefully before painting or assembling)





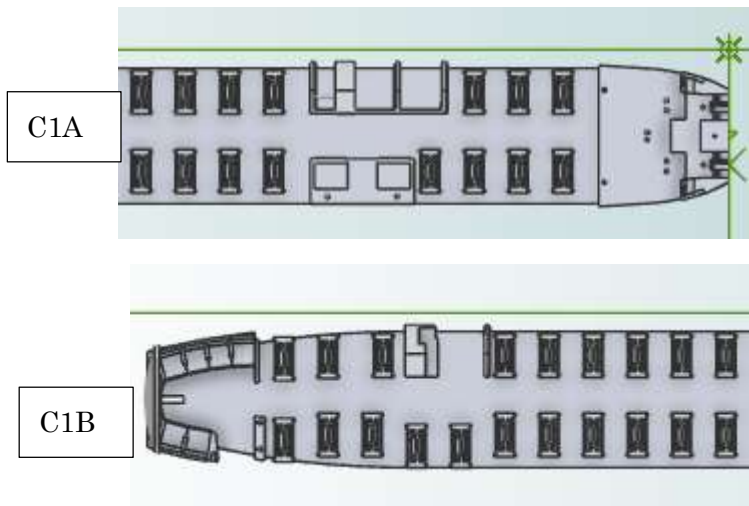


X2 each



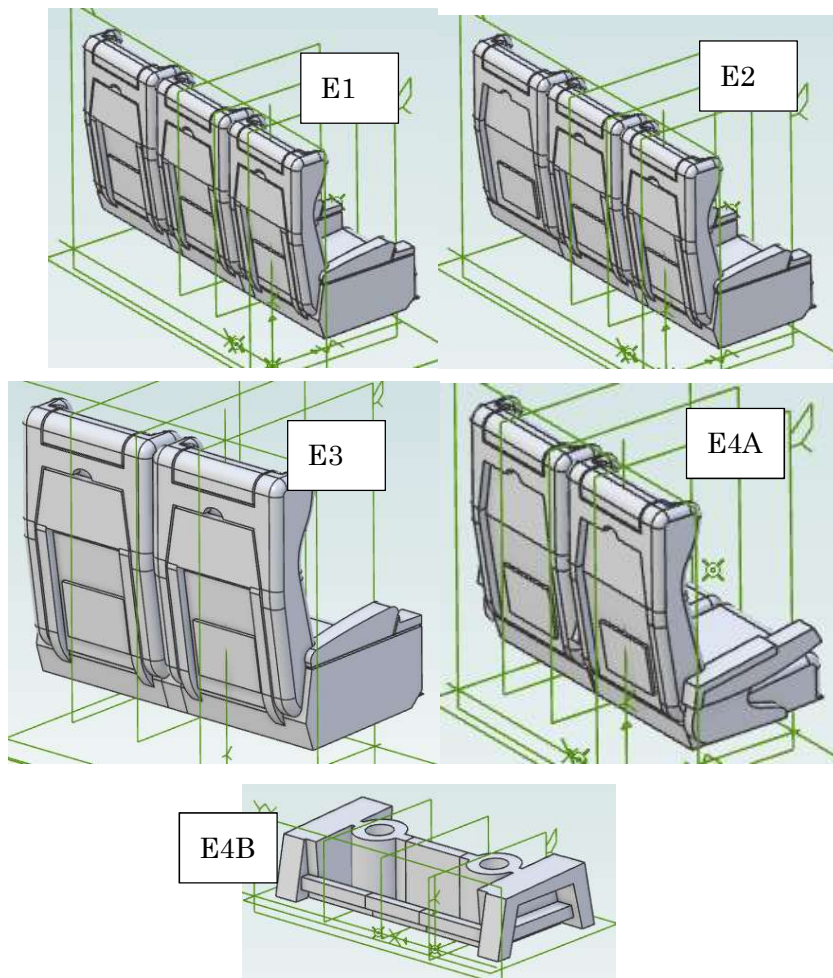
From SN76, flaps are separable.

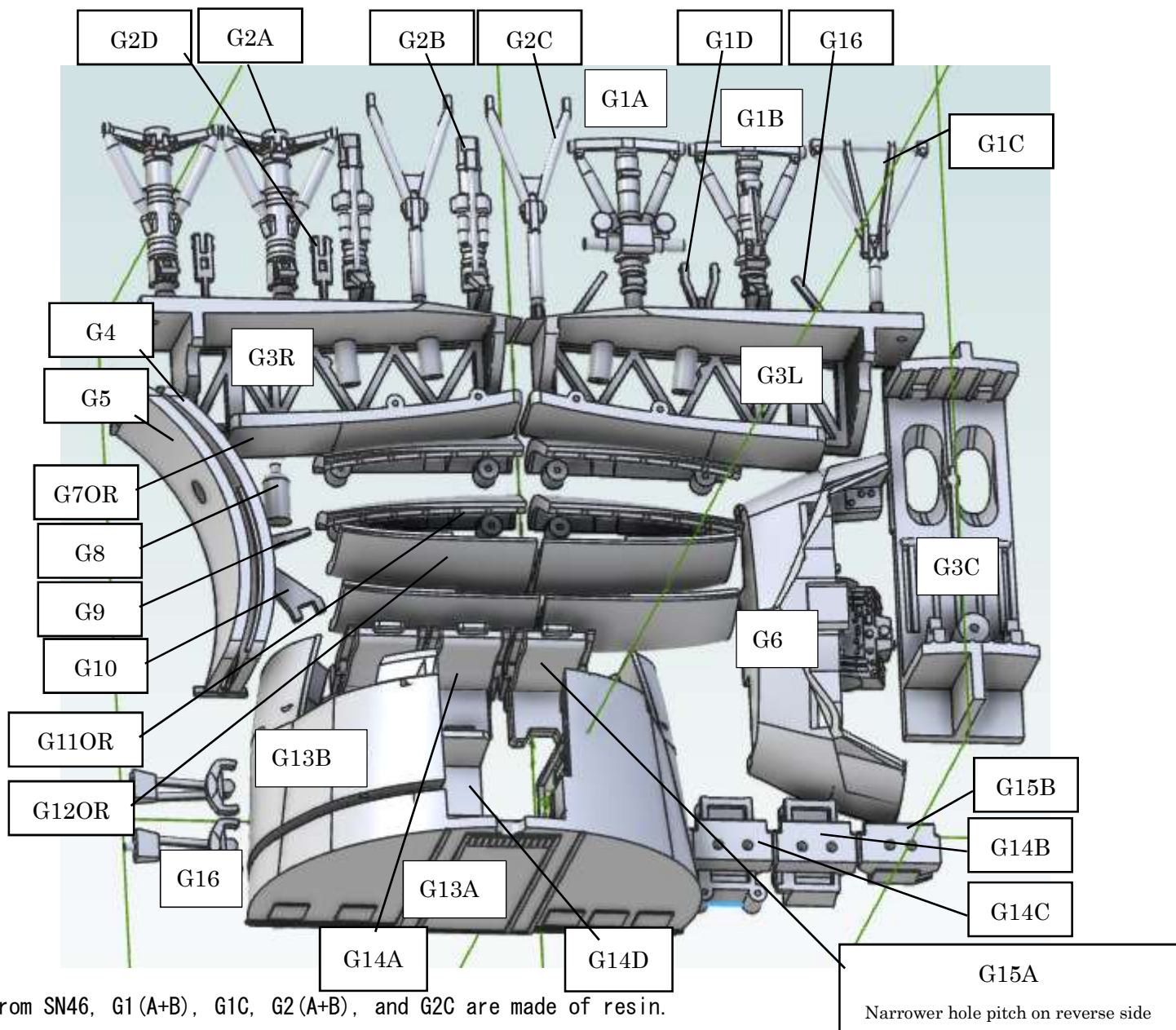
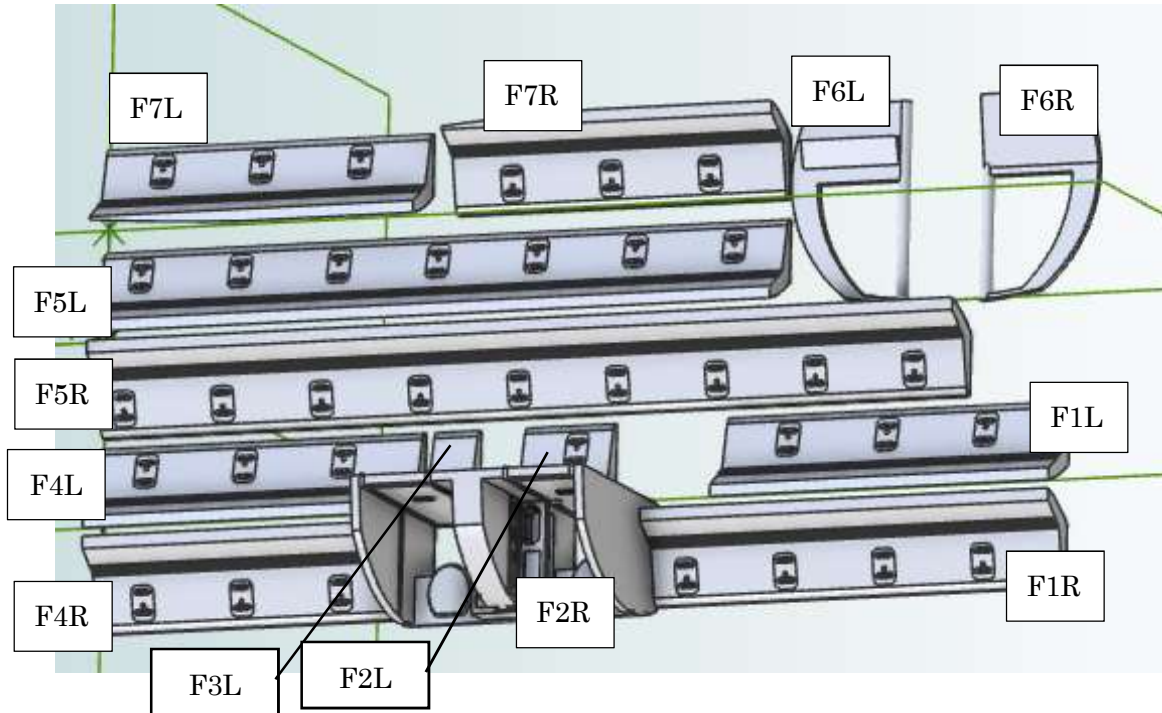
Interior and exterior accessories

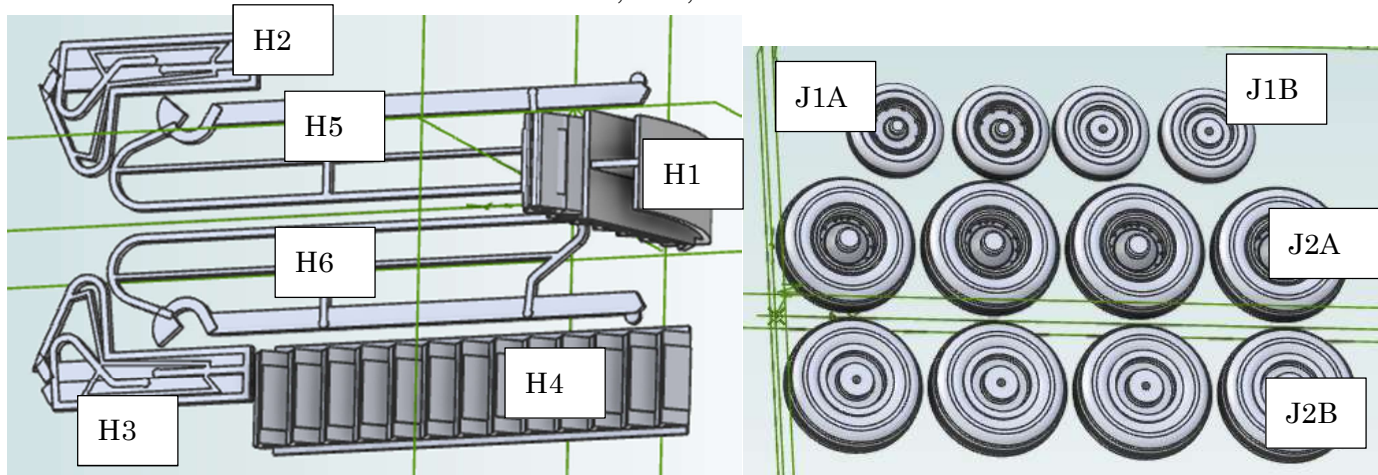


1/72 and 1/48 floor is divided into 2 parts.

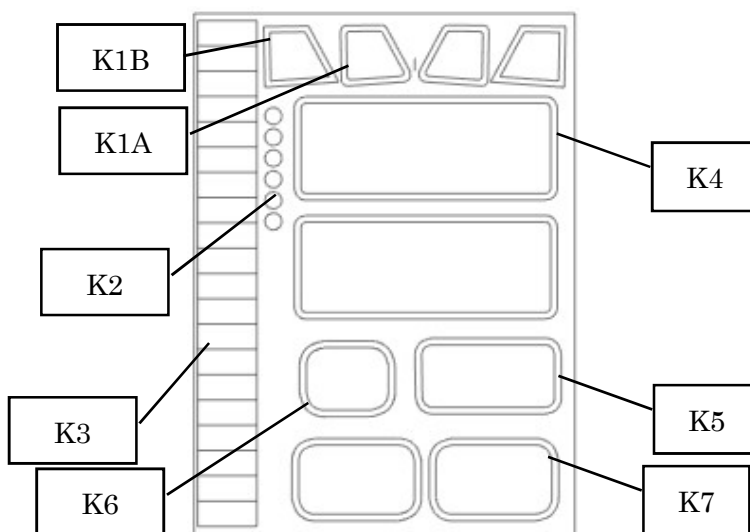
As for 1/32, floor parts are divided into 3 parts, C1A, C1B, and C1C.



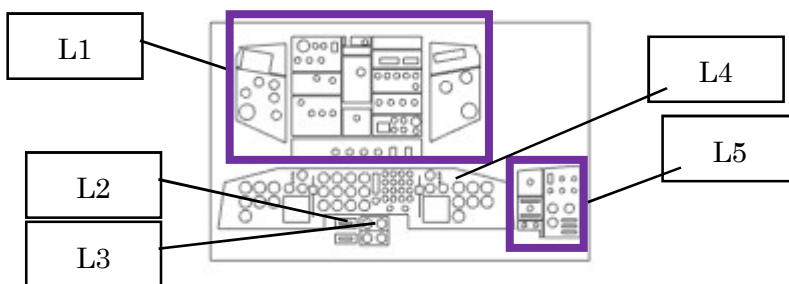




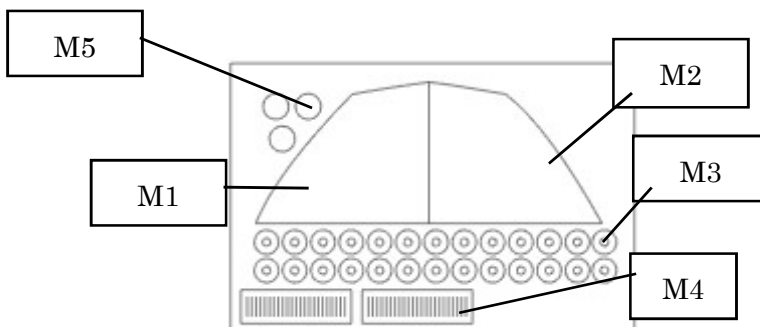
Sticker black



Sticker grey

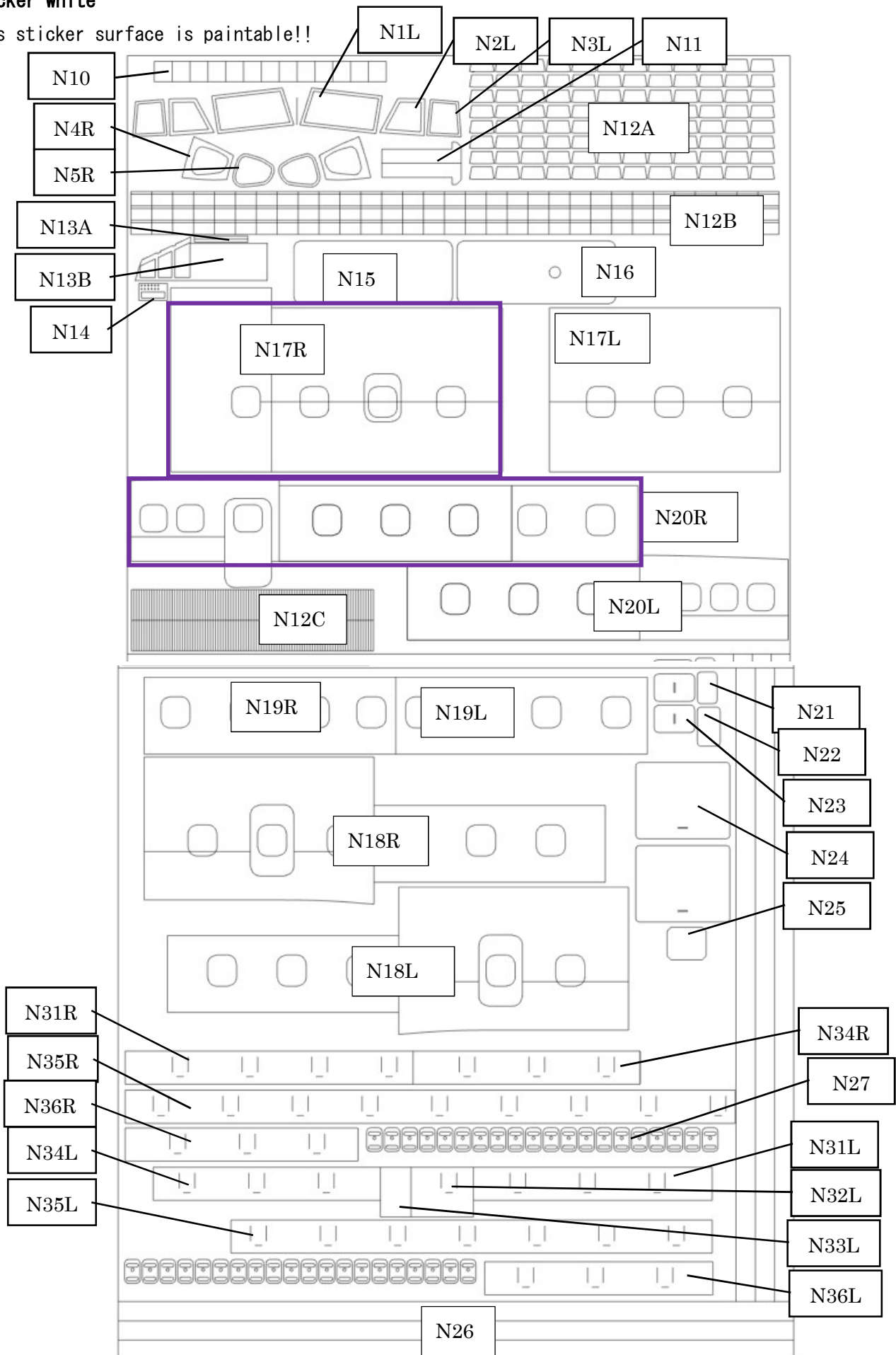


Sticker silver

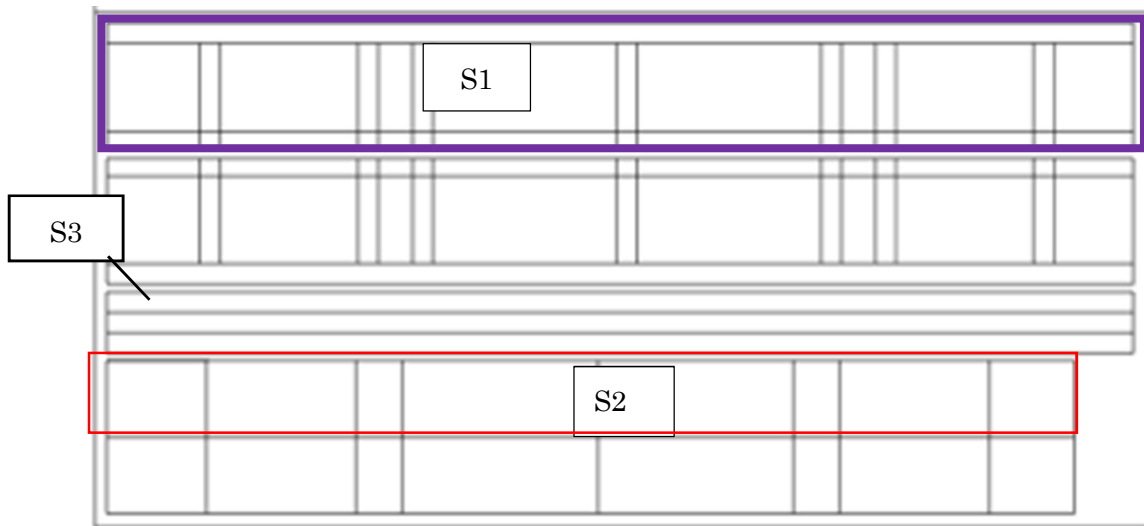


Sticker white

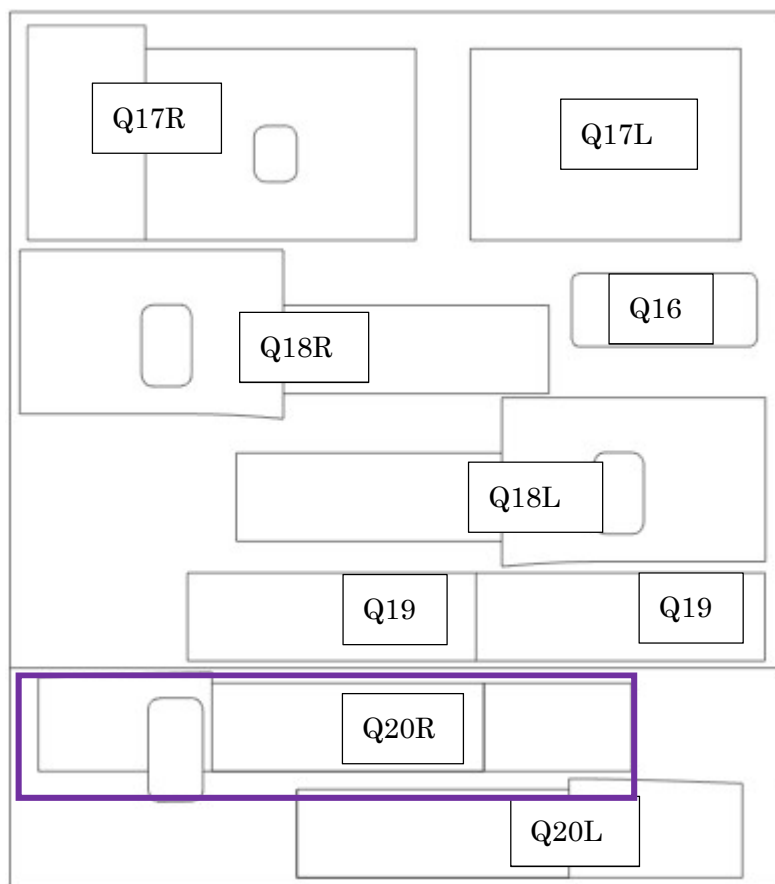
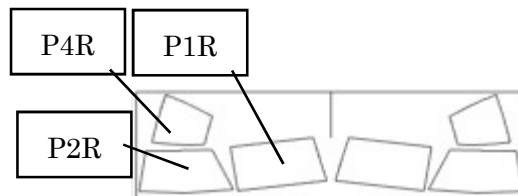
This sticker surface is paintable!!



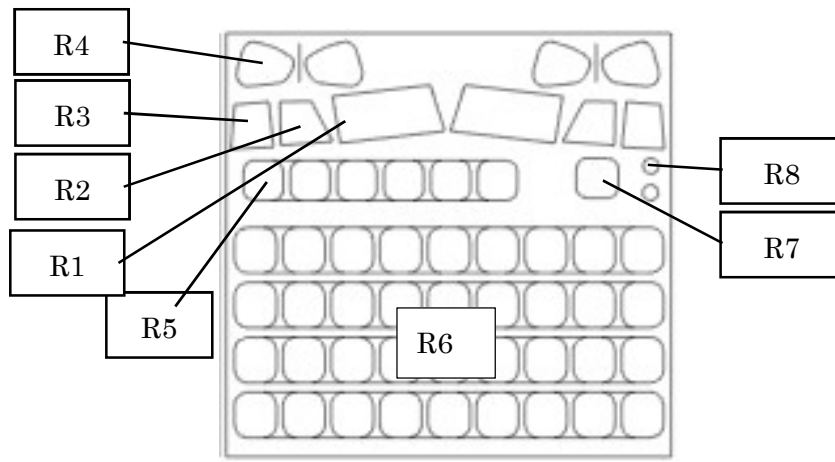
Sticker flaps (From SN76. Color is not determined)



Clear tape for passenger window



Window (0.1mm thickness poly styrene clear sheet) masked by masking tape!!

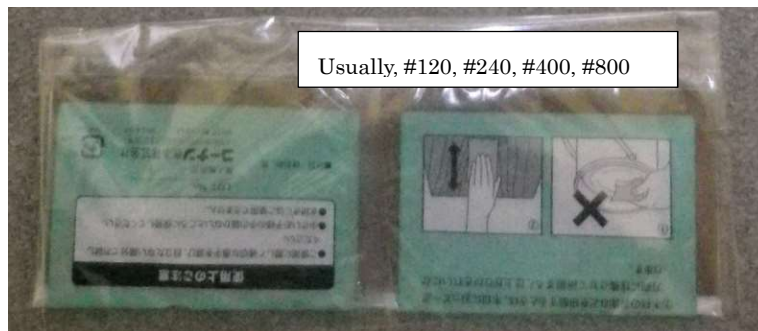


When painting, masking tape on surface tape would be useful.

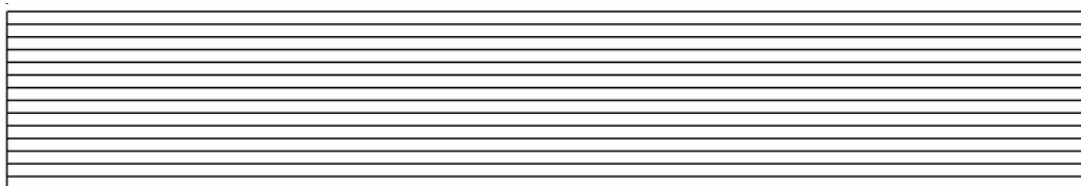
Dummy weight to keep standing position

I usually include sand, bolt and so on for dummy weight.

Sand paper set and ABS plate



Masking tape



Rod parts

Wire is made of aluminum, stainless steel, brass etc.

1/72: ϕ 0.6, ϕ 0.8, ϕ 1.2mm brass rod, ϕ 0.9, ϕ 1.2mm wire, ϕ 1mm PS rod

1/48: ϕ 1.8mm bamboo, ϕ 0.8, ϕ 1.2mm brass rod, ϕ 1.2, ϕ 1.5mm wire

1/32: ϕ 1.8, ϕ 3mm bamboo, ϕ 1.2mm brass rod, ϕ 1.5, ϕ 1.8, ϕ 2.5mm wire



