



Wide, Hard, and Long Scale Model Series

1/72&1/48 scale Hawker Siddeley HS780 Andover C.1 kit

30 September, 2022 Edition

Size dimension in this instruction is “millimeters” .

Designed by Toshihiko Shimizu

Printed in Japan

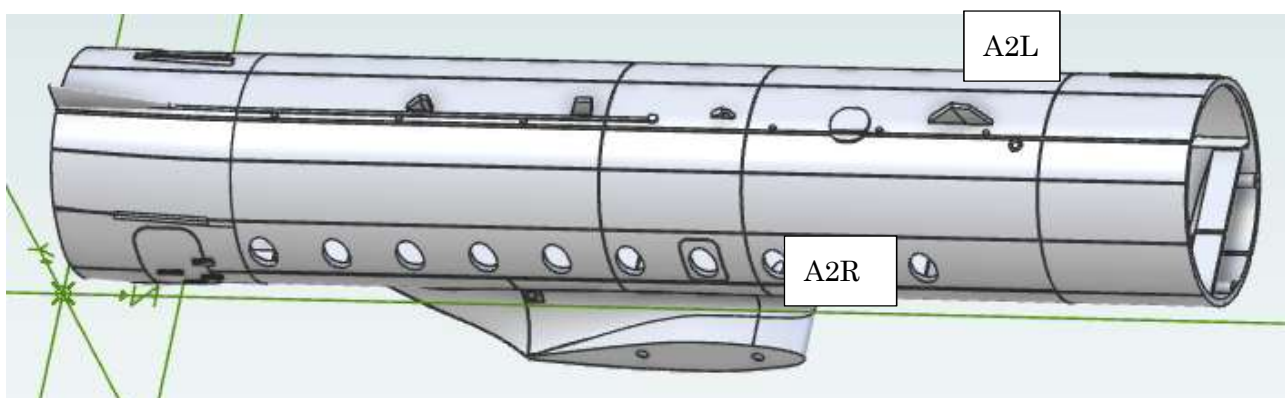
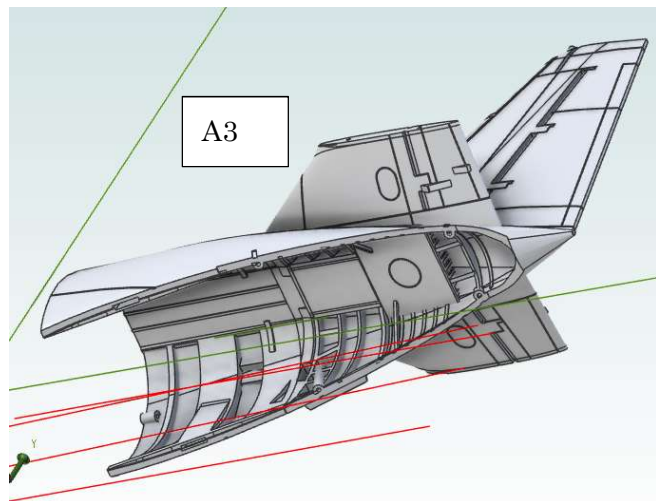
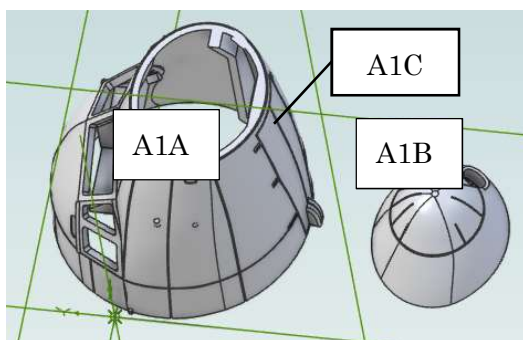
ABS and HIPS filament for 3D printers Made in Taiwan or China

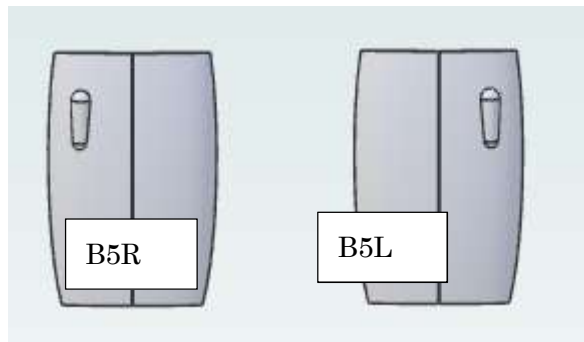
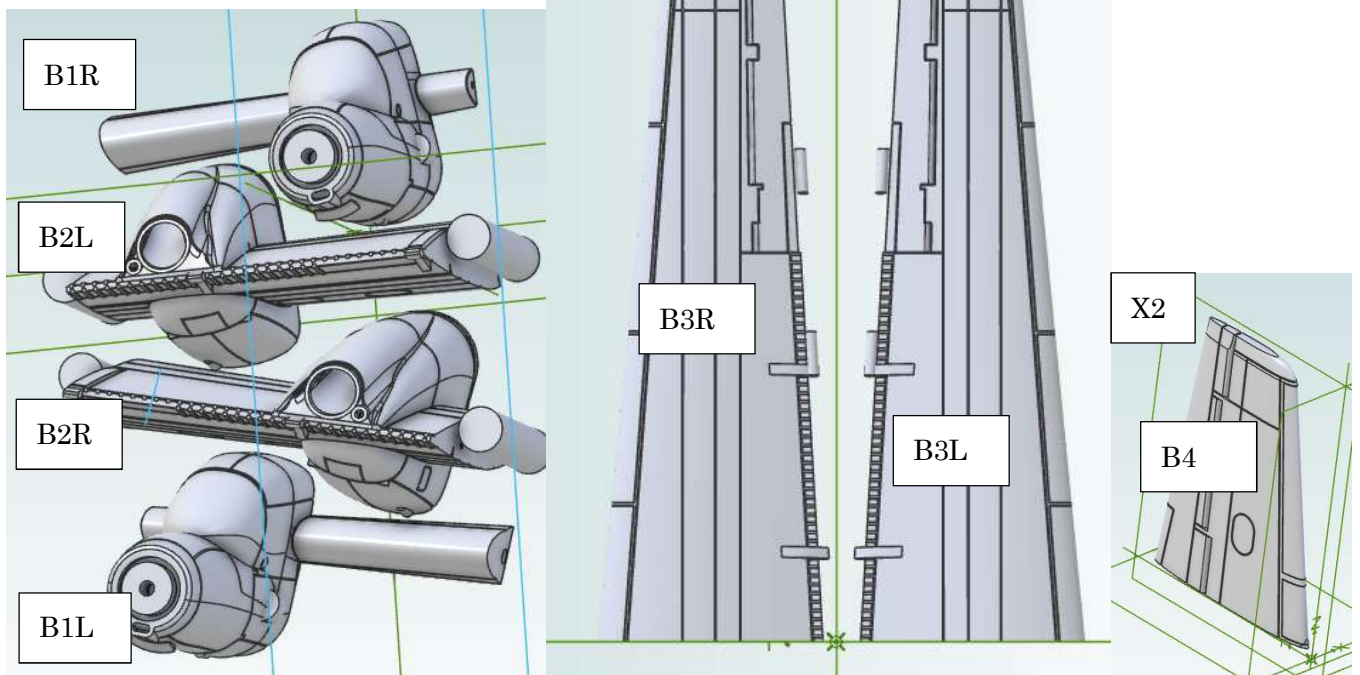
1 The kit inbox

These following fuselage images are airliner ver. But parts separation arrangement is same.

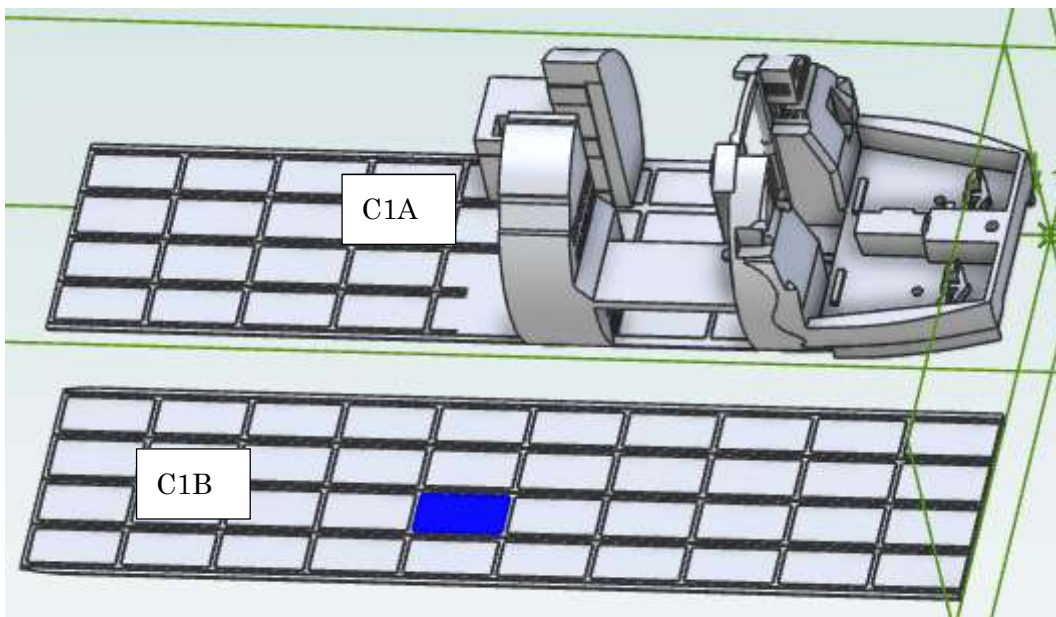
Wing and fuselage

(inside and outside burr should be removed carefully before painting or assembling)

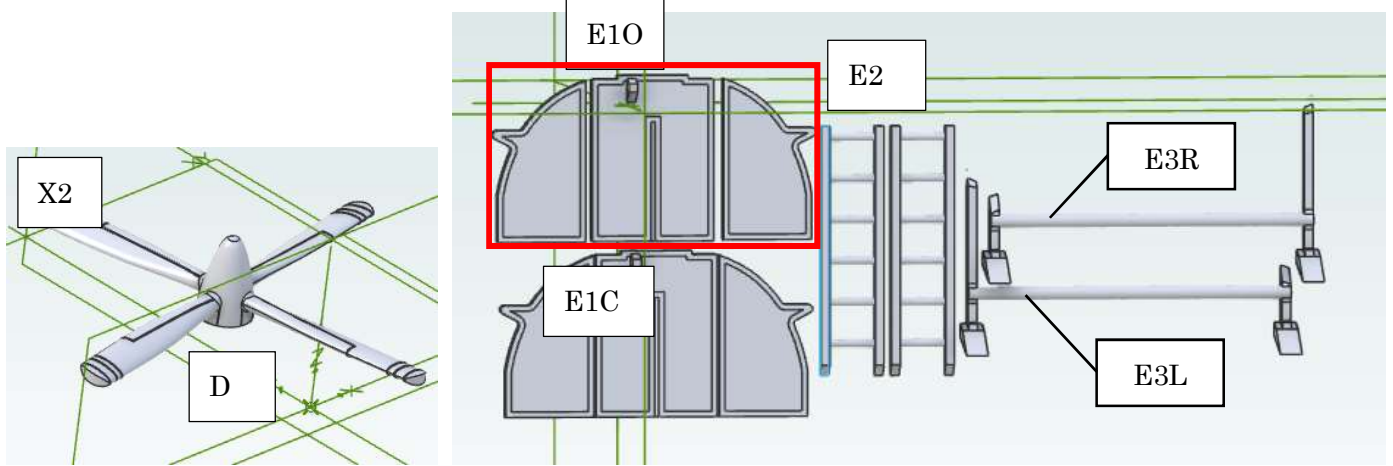




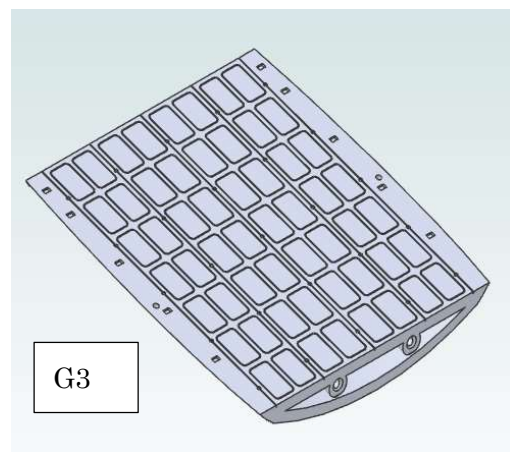
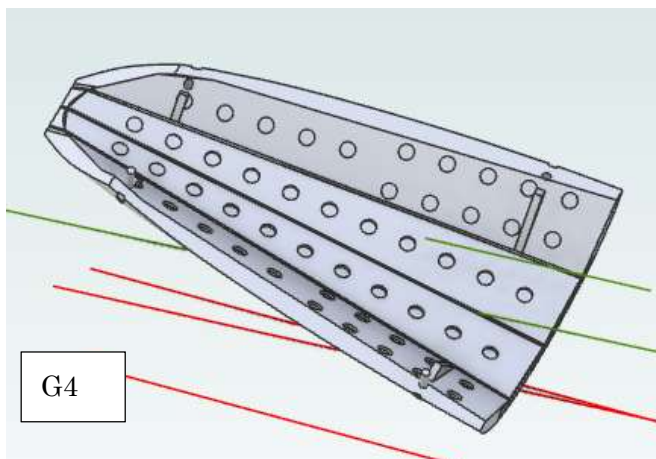
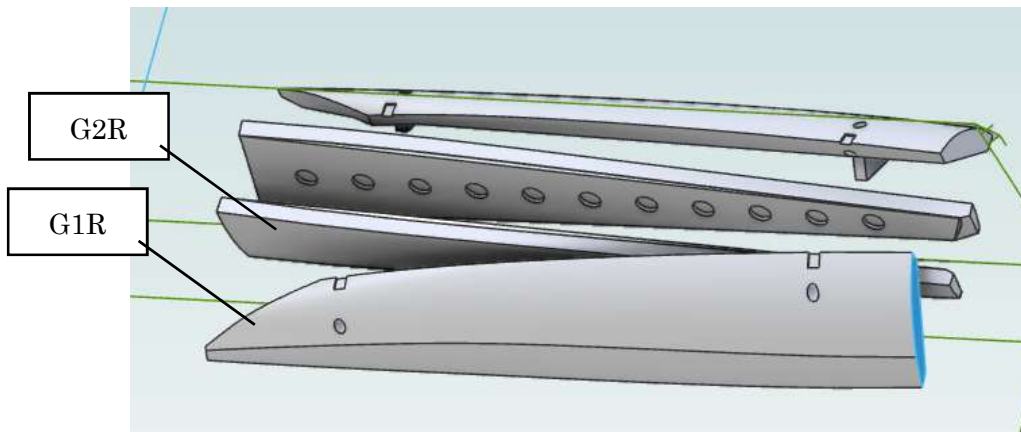
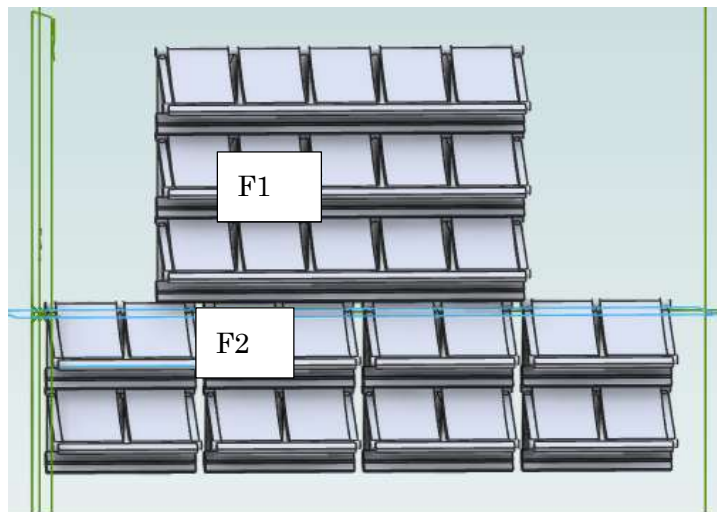
Interior and exterior accessories

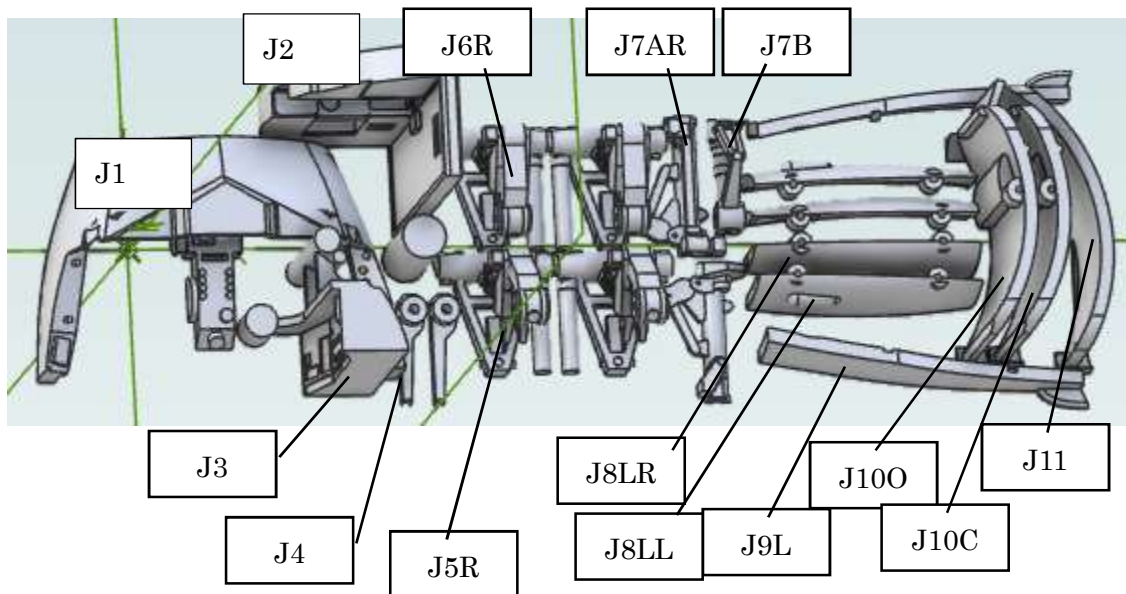
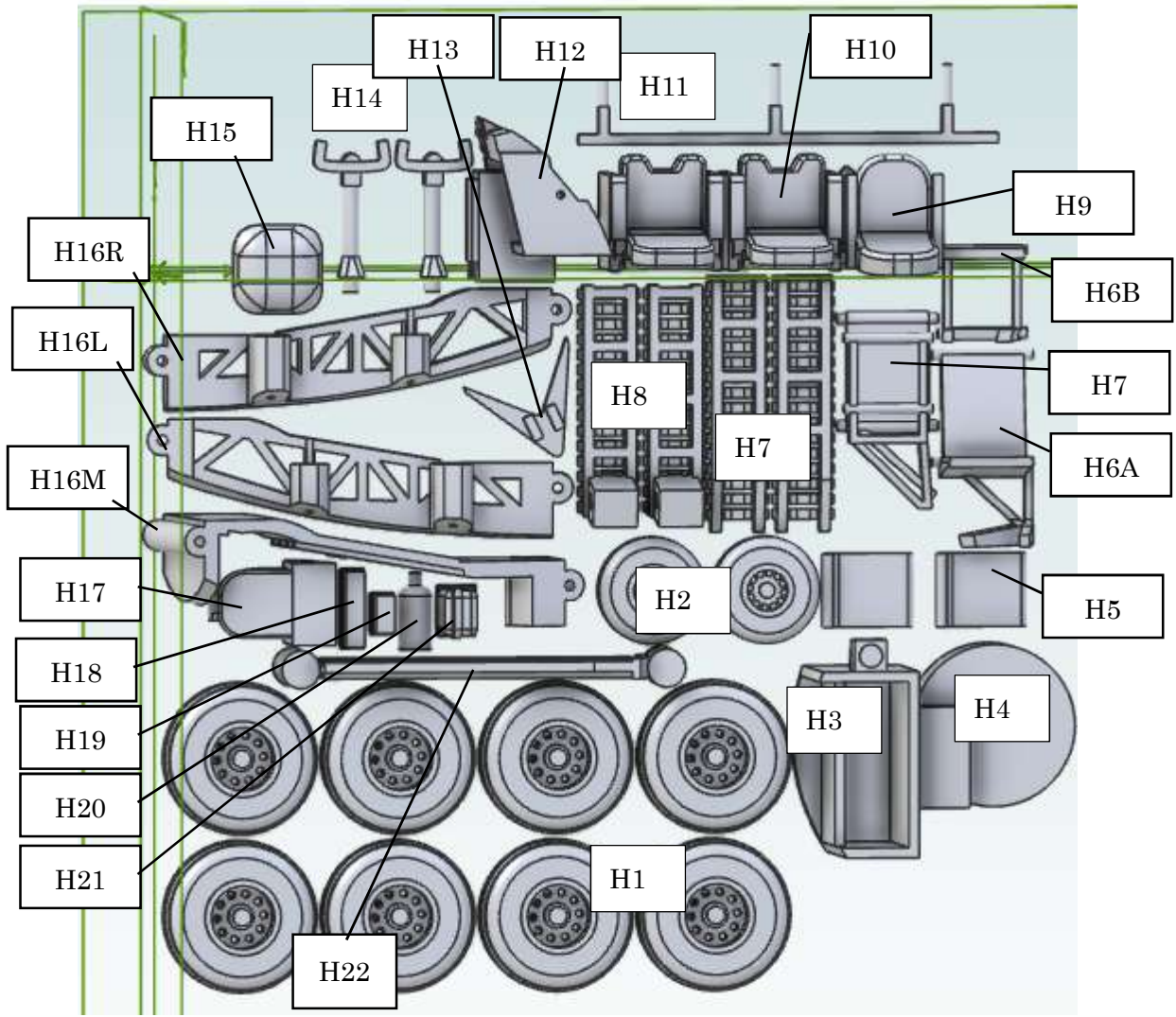


As for 1/72, C1A and C1B are already connected.

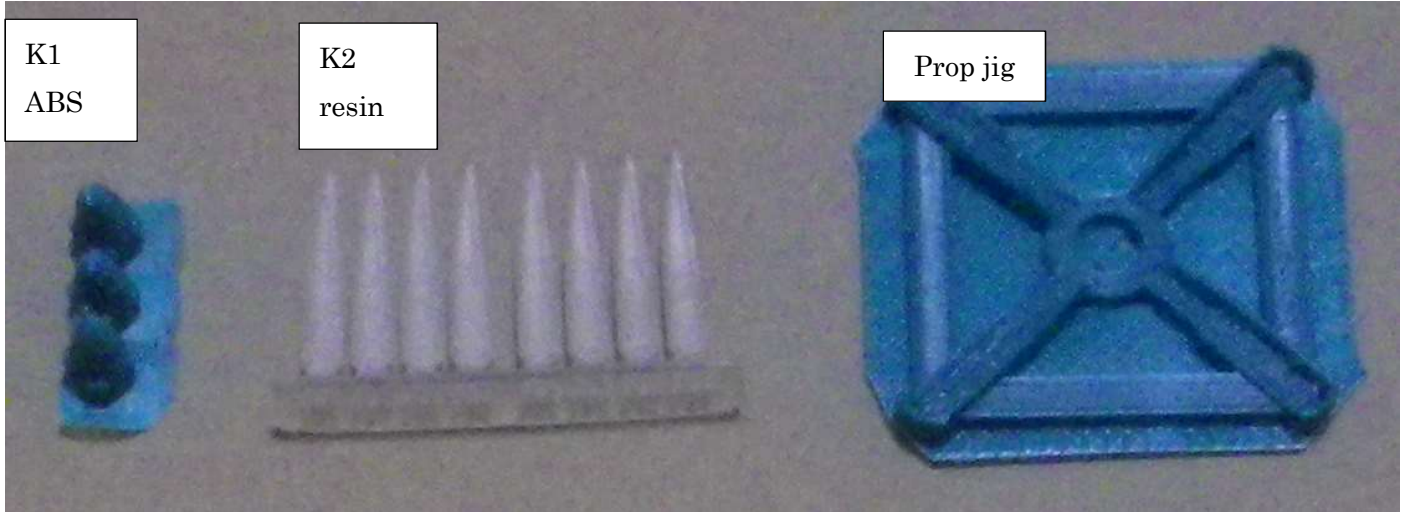


From SN82, props are made of resin.



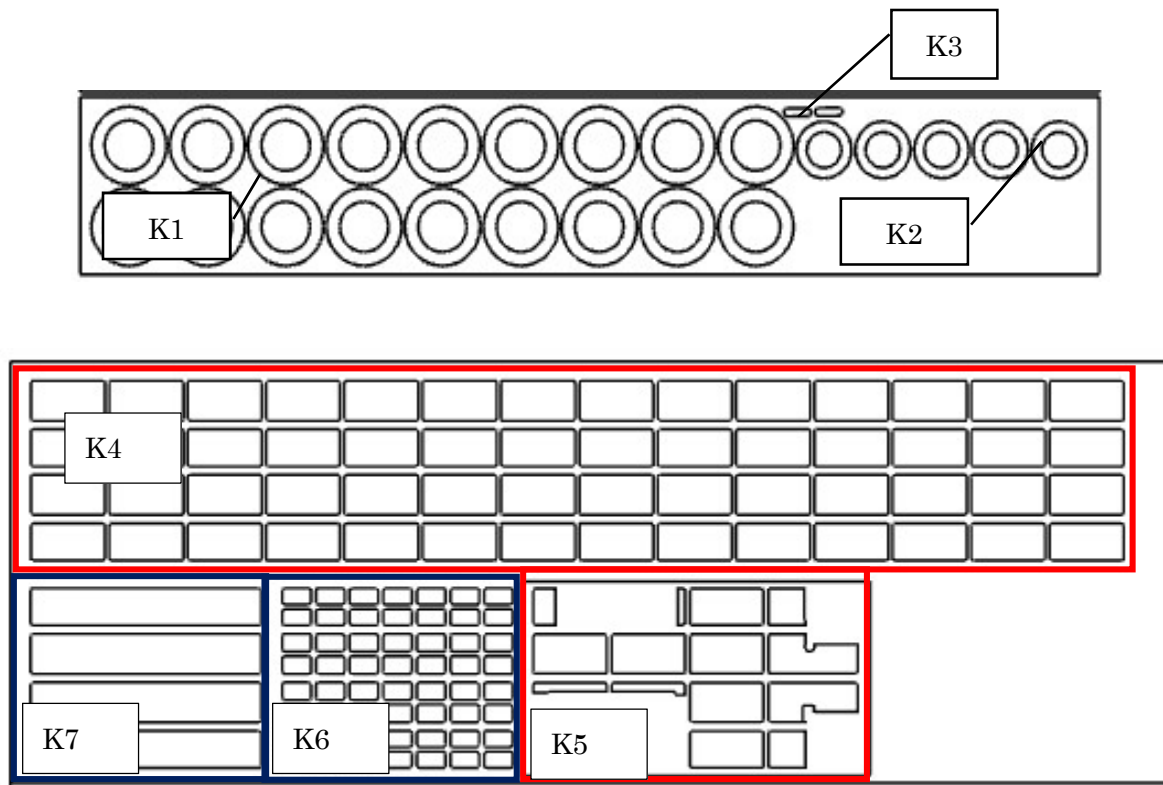


From SN86, J5, J6, J7A and J7B are made of resin.

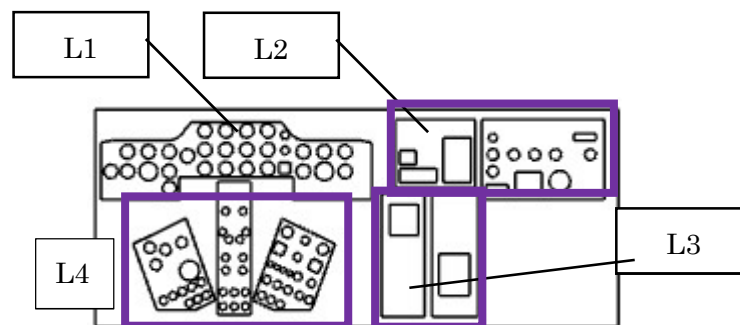


From SN82, props are made of resin.

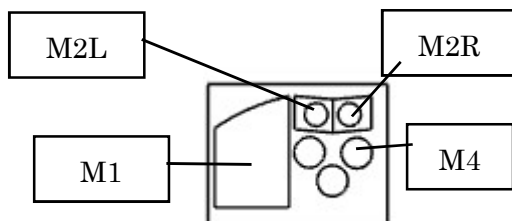
Sticker black (common)



Sticker grey (common)



Sticker silver (common)

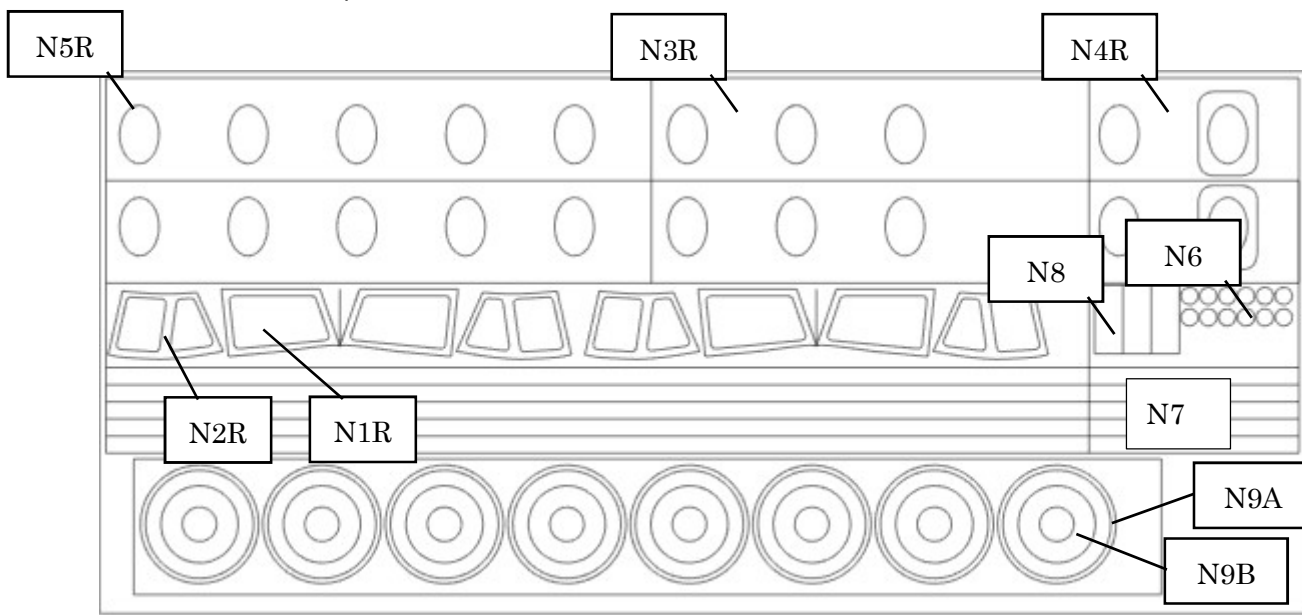


Sticker yellow (common)

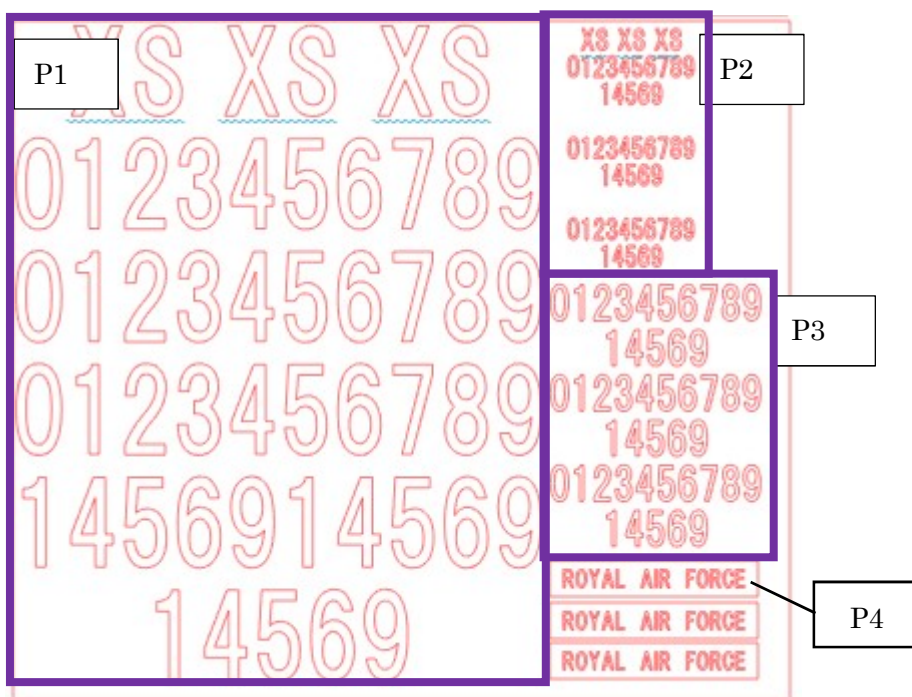


Sticker white (RAF)

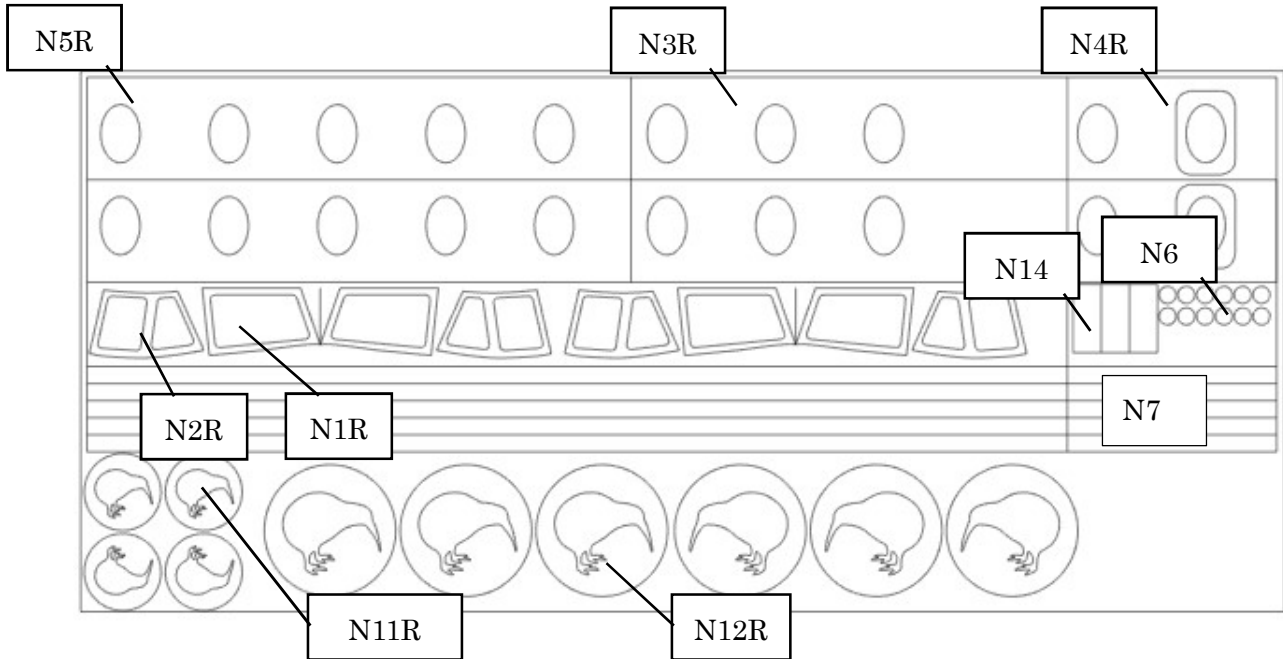
This sticker surface is paintable!!



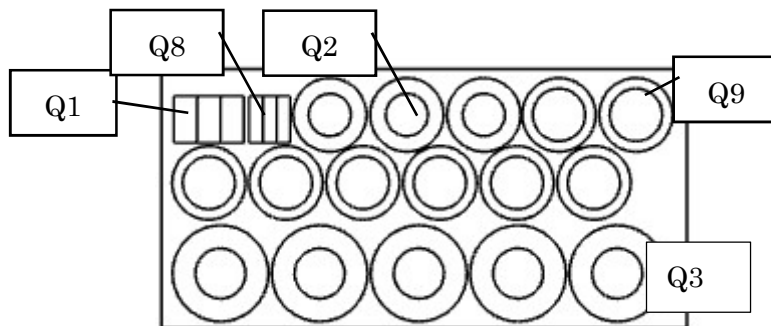
This sticker surface is paintable!!



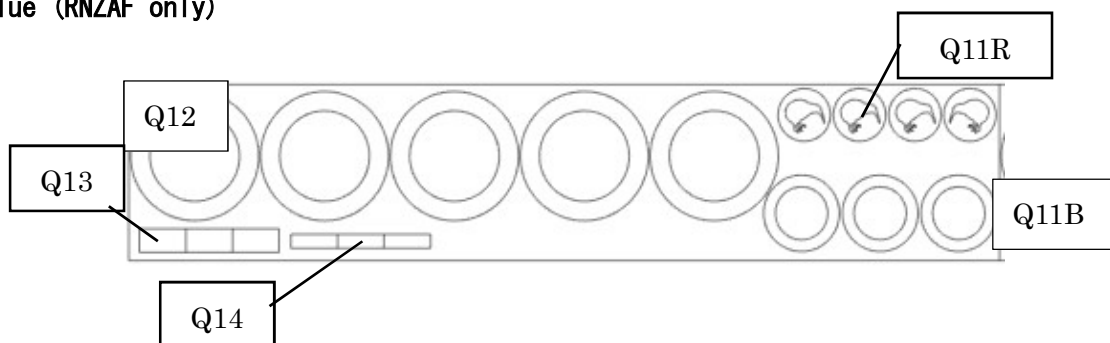
Sticker white (RNZAF)

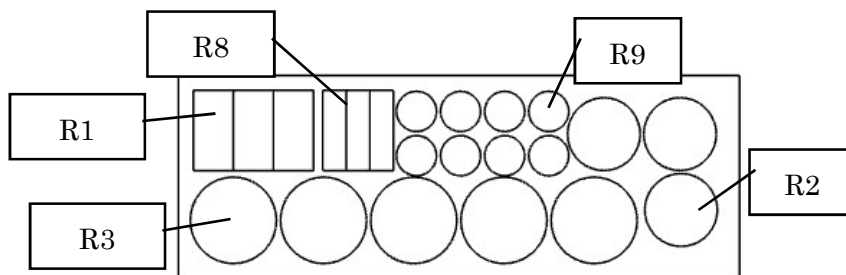


Sticker blue (RAF only)

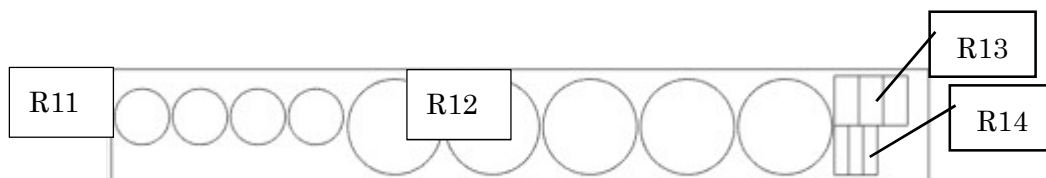


Sticker blue (RNZAF only)

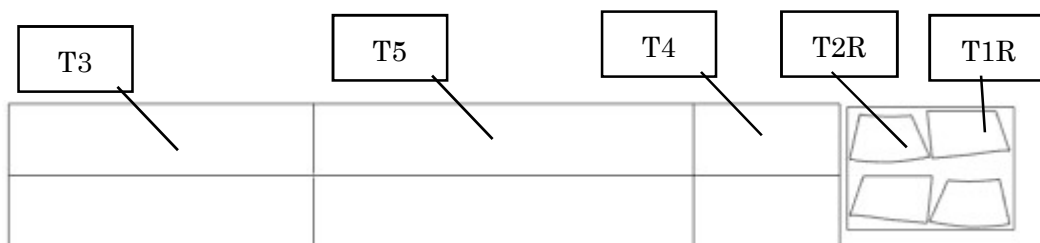




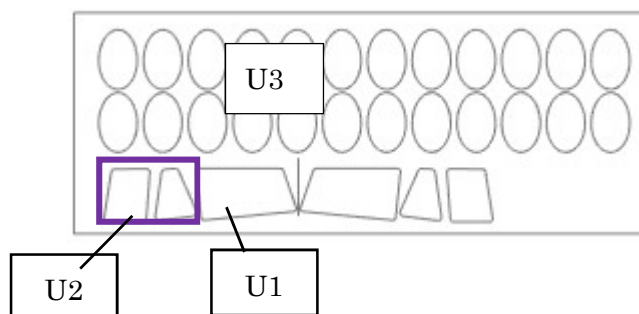
Sticker red (RNZAF only)



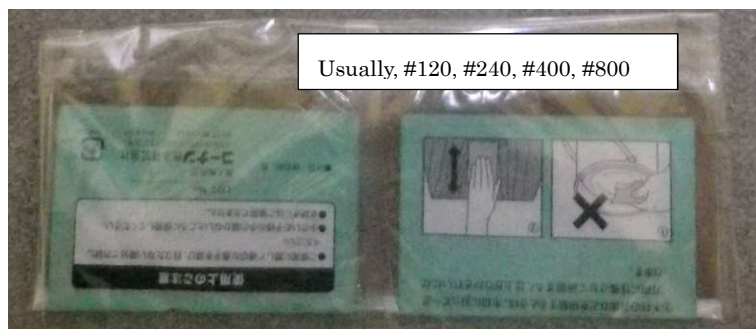
Clear tape for passenger window

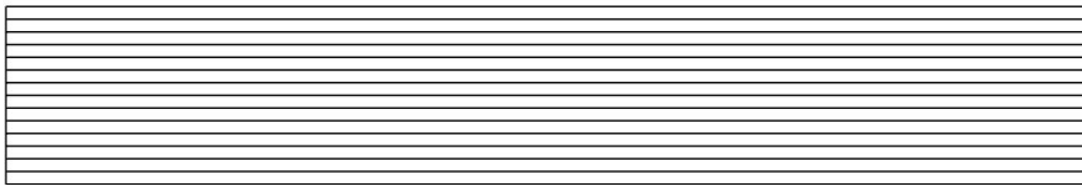


Window (0.1mm thickness poly styrene clear sheet) masked by masking tape!!



Sand paper set and ABS plate



Masking tape**Rod parts**

Wire is made of aluminum, stainless steel, brass etc.

1/72: ϕ 1.8mm bamboo, ϕ 0.6, ϕ 0.8mm brass rod, ϕ 0.7mm wire, ϕ 1mm PS rod

1/48: ϕ 1.8, ϕ 3mm bamboo, ϕ 0.8, ϕ 1.2mm brass rod, ϕ 0.9mm wire, ϕ 1mm PS rod

1/32: ϕ 1.8, ϕ 3mm bamboo, ϕ 0.8, ϕ 1.2, ϕ 2mm brass rod, ϕ 1.5mm wire



From SN55, I replaced rod contents. Please convert PS rod and part of brass rod to wire as follows!!

ϕ 0.6mm brass rod except for undercarriage area \rightarrow ϕ 0.55mm wire

ϕ 0.8mm brass rod except for undercarriage area \rightarrow ϕ 0.9mm wire

ϕ 1mm PS rod \rightarrow ϕ 0.9mm wire

ϕ 1.2mm brass rod except for undercarriage area \rightarrow ϕ 1.2mm wire

ϕ 2mm brass rod except for undercarriage area \rightarrow ϕ 1.8mm wire

