



Wide, Hard, and Long Scale Model Series

1/72&1/48&1/32 Hawker Siddeley HS748 VIP ver. kit

Both RAAF VIP and Andover CC.2

12 November, 2022 Edition

Size dimension in this instruction is “millimeters” .

Designed by Toshihiko Shimizu

Printed in Japan

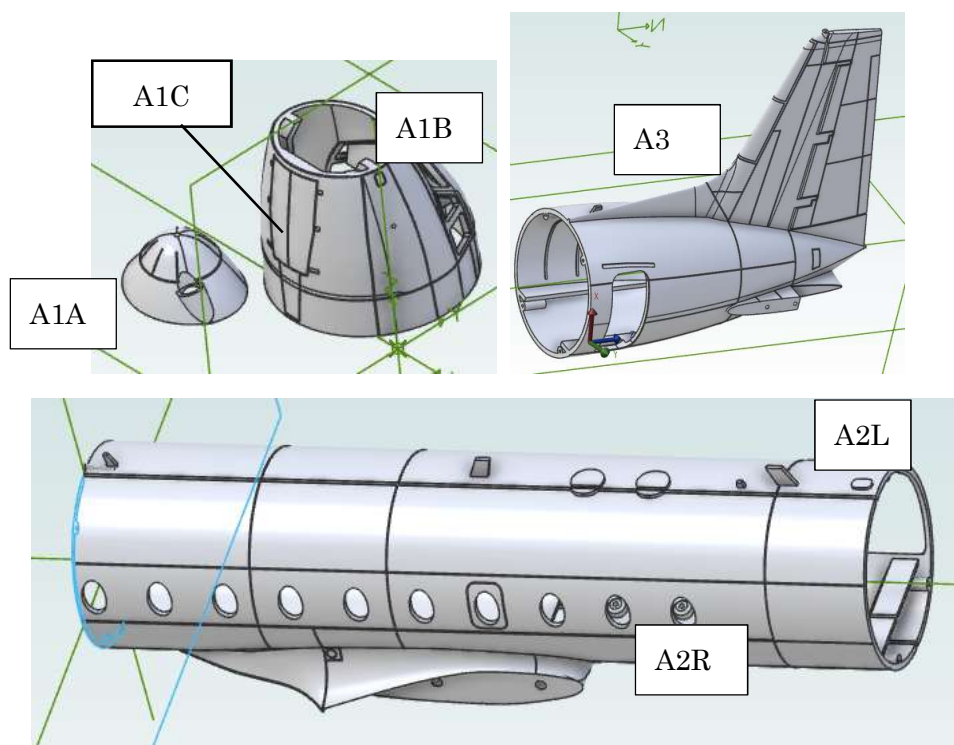
ABS and HIPS filament for 3D printers Made in Taiwan or China

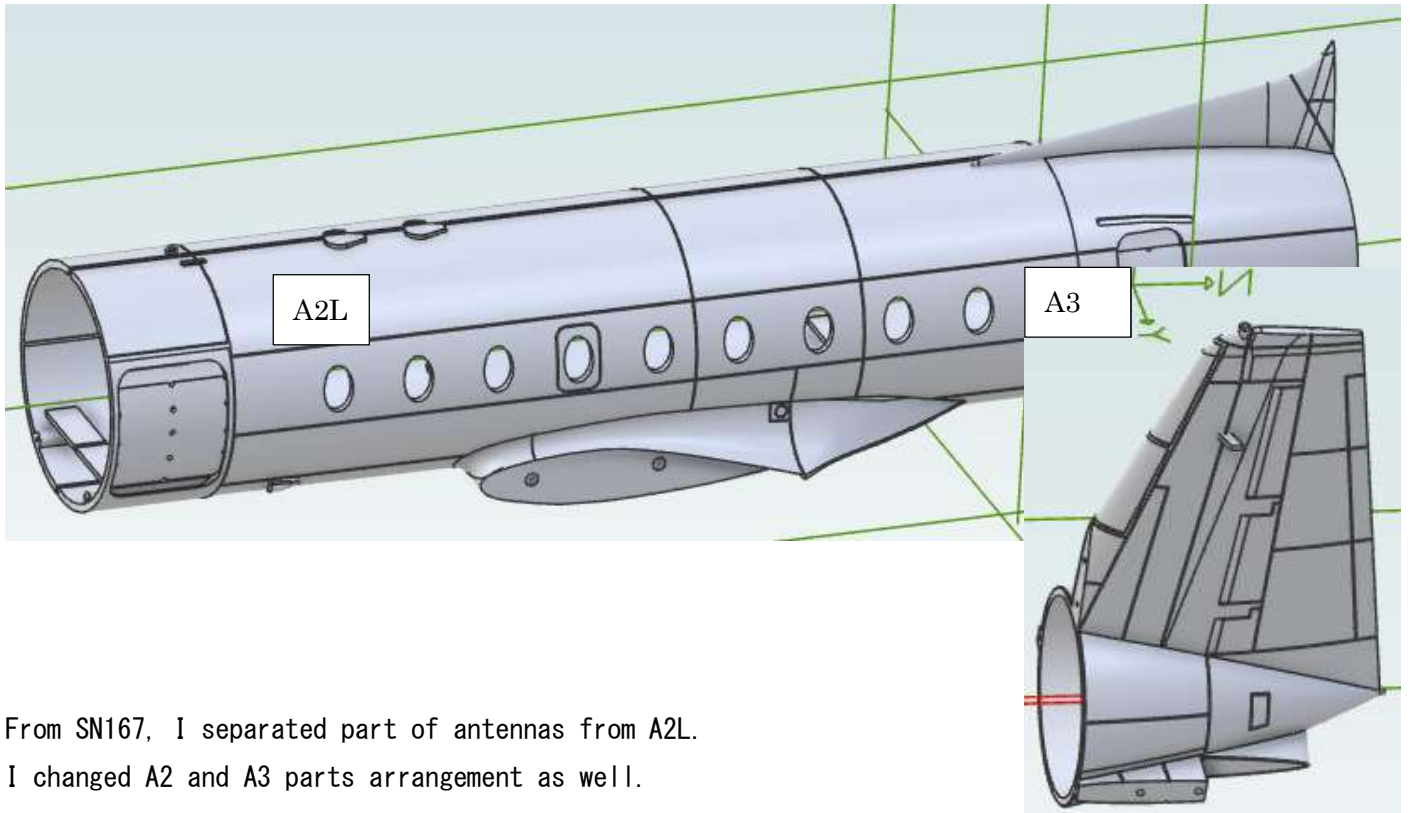
1 The kit inbox

These following fuselage images are airliner ver. But parts separation arrangement is same.

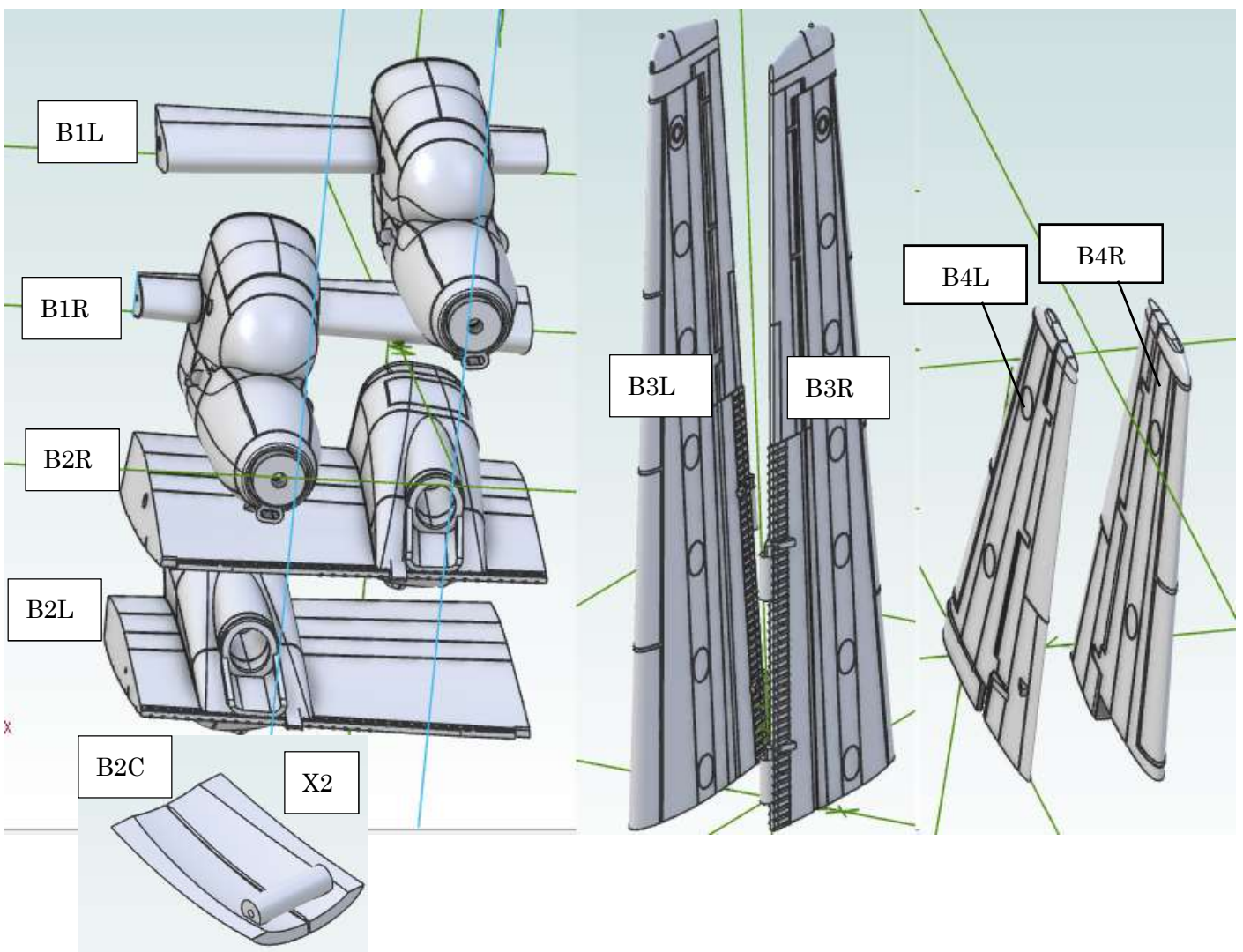
Wing and fuselage

(inside and outside burr should be removed carefully before painting or assembling)



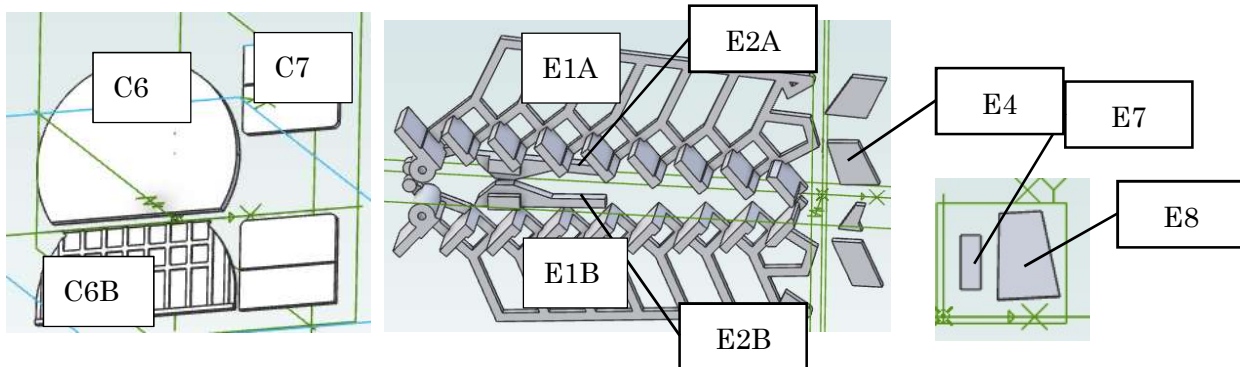
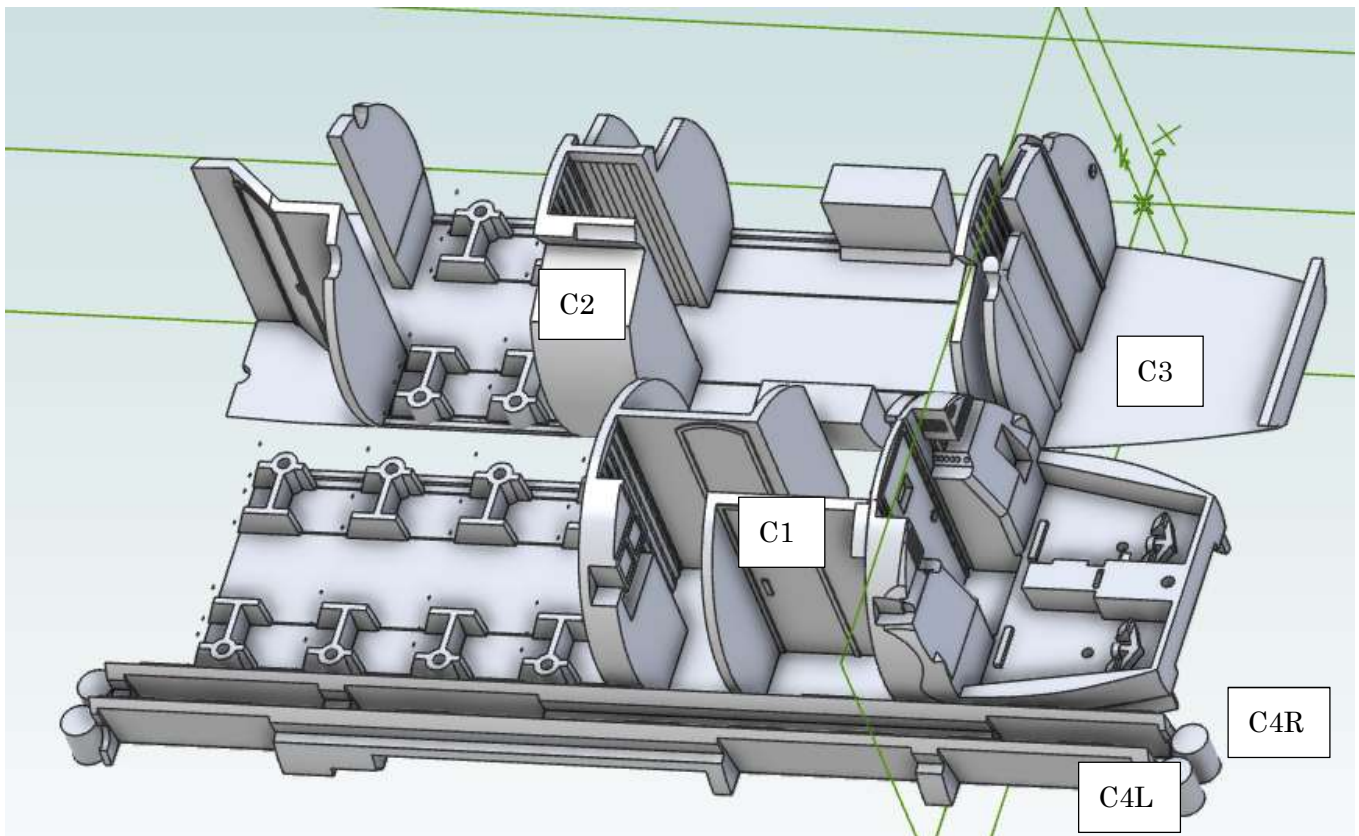


From SN167, I separated part of antennas from A2L.
I changed A2 and A3 parts arrangement as well.



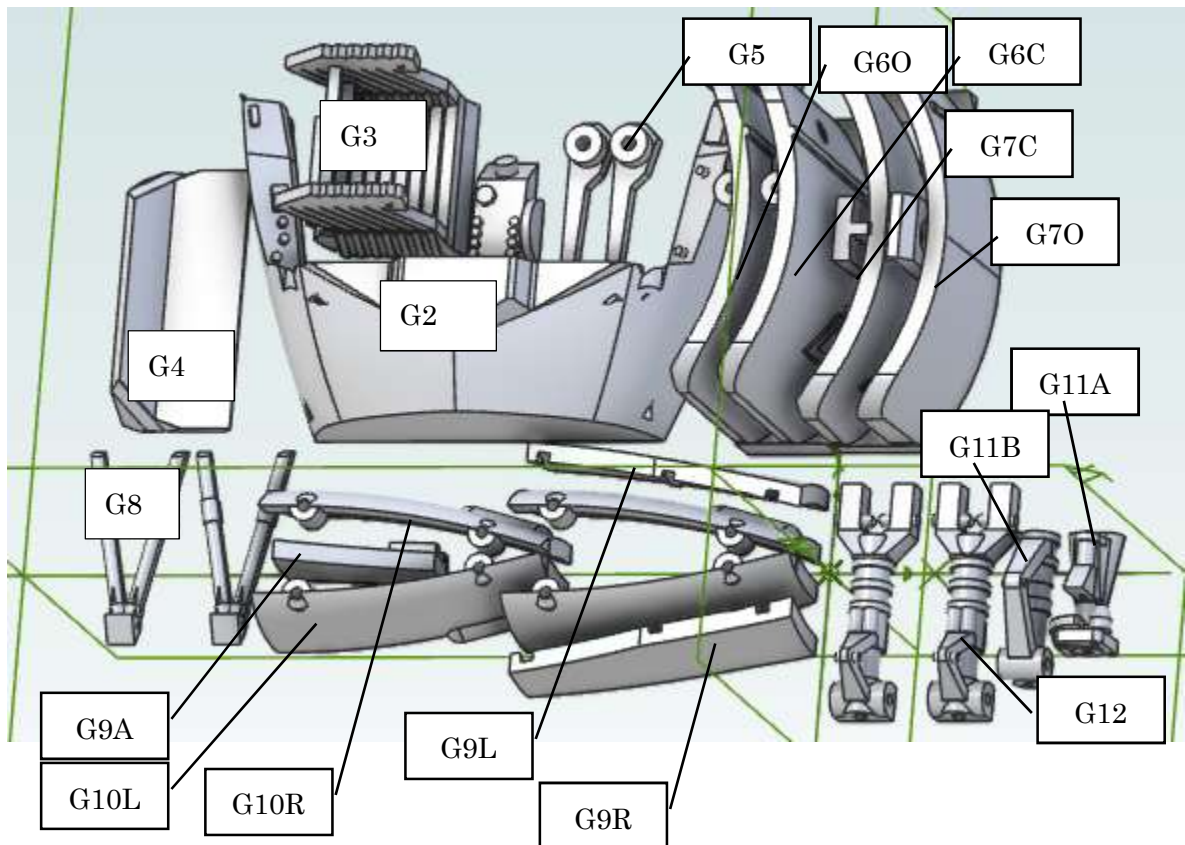
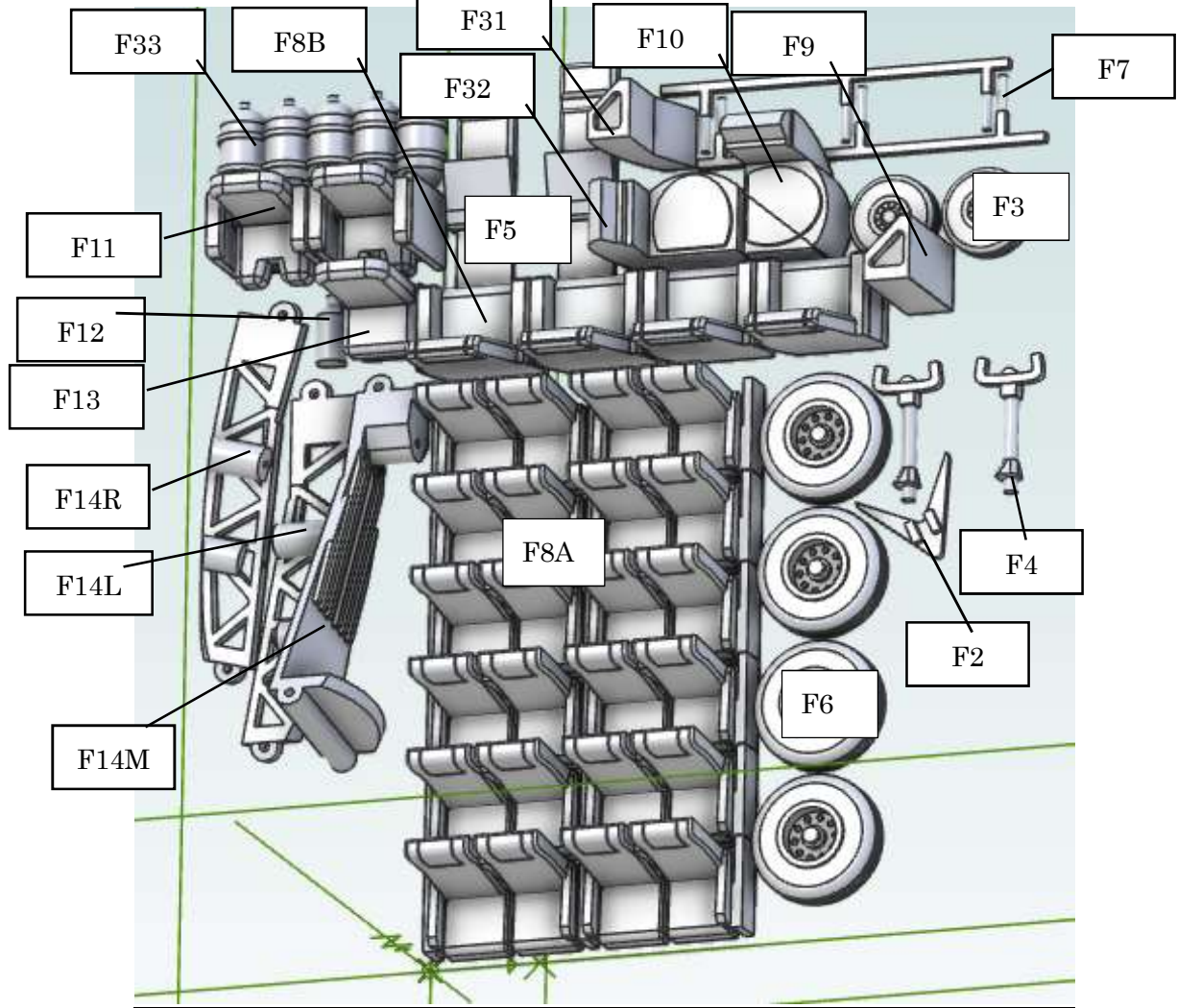
As for RAAF VIP ver. B1R and B2R nacelle shape is different.

Interior and exterior accessories



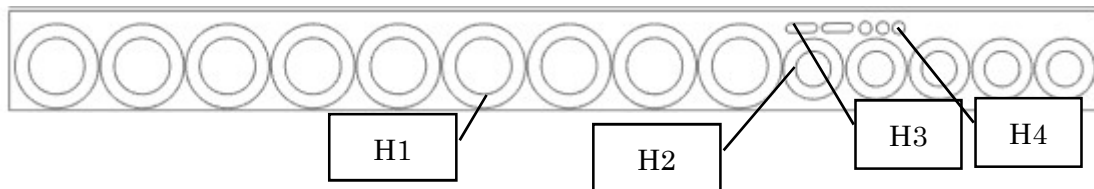
From SN167, I separated part of antennas from A2L.



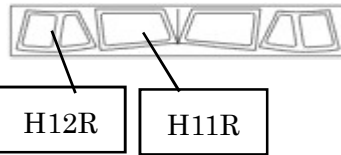


From SN164, Q11A, Q11B and Q12 are made of resin.

Sticker black (common)

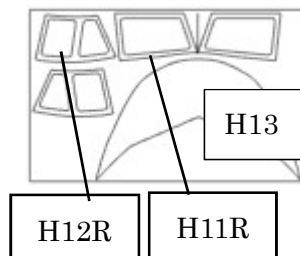


Sticker black (RAAFVIP only)

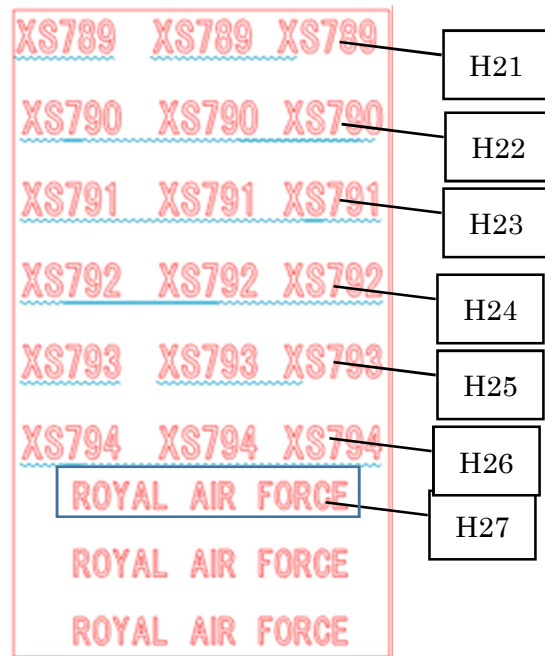


Example: Opposite K1R is K1L.

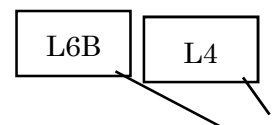
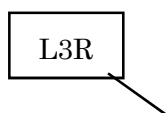
Sticker black (GC2 only)



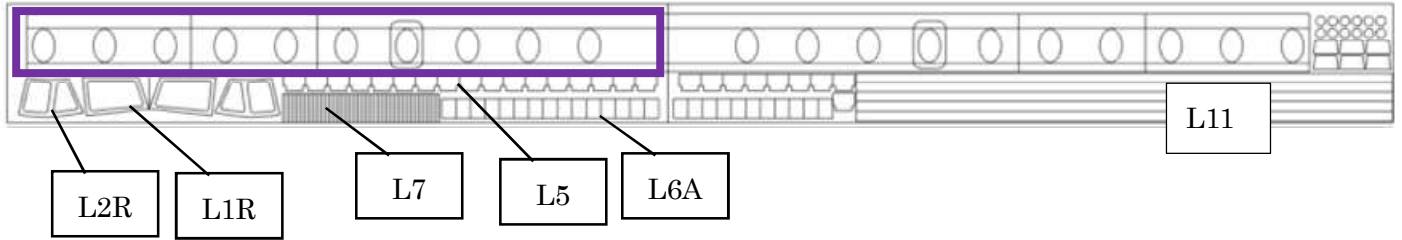
Example: Opposite K1R is K1L.



Sticker white (RAAFVIP only)

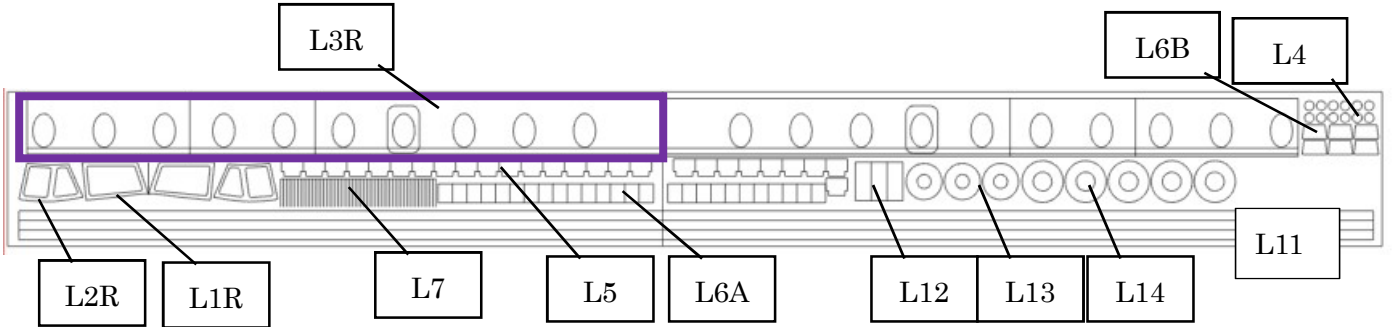


Example: Opposite K1R is K1L.



Example: Opposite K1R is K1L.

Sticker white (CC2 only)



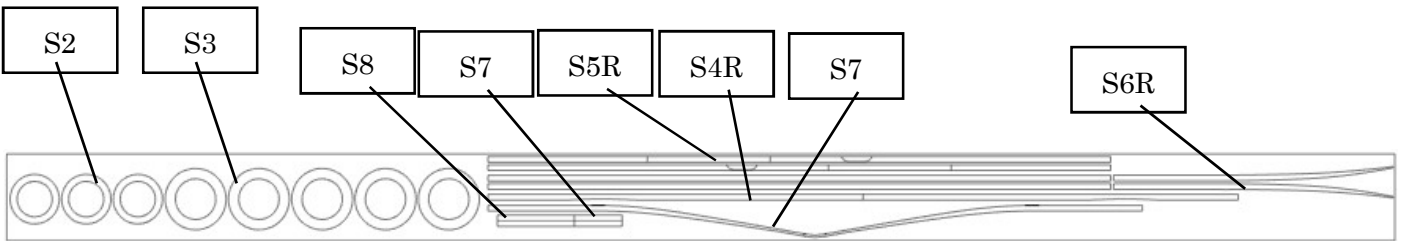
Example: Opposite K1R is K1L.

Sticker navy blue (RAAFVIP only)



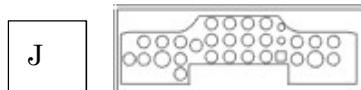
Example: Opposite K1R is K1L.

Sticker navy blue (CC2 only)

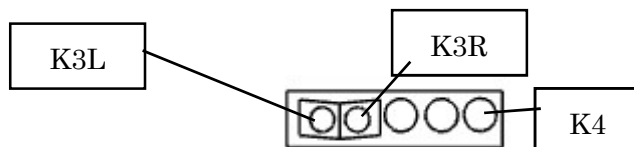


Example: Opposite K1R is K1L.

Sticker grey (common)



Sticker silver



Example: Opposite K1R is K1L.

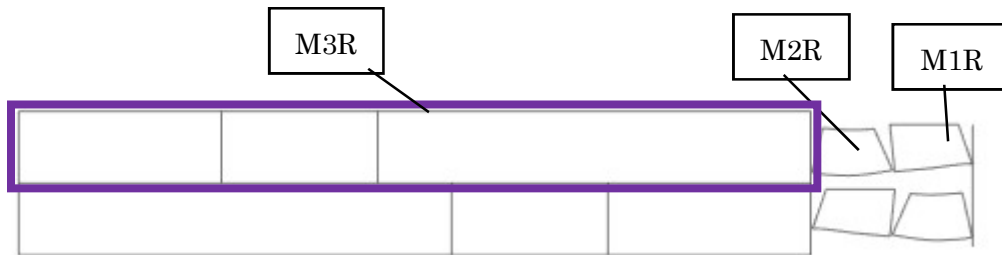
Sticker blue (CC2 only)

Example: Opposite K1R is K1L.

Sticker red (CG2 only)

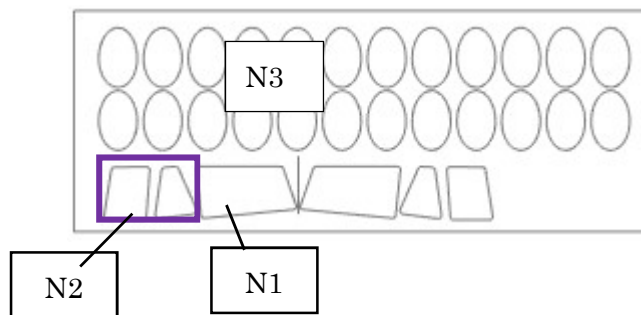
Sticker yellow

Clear tape for passenger window

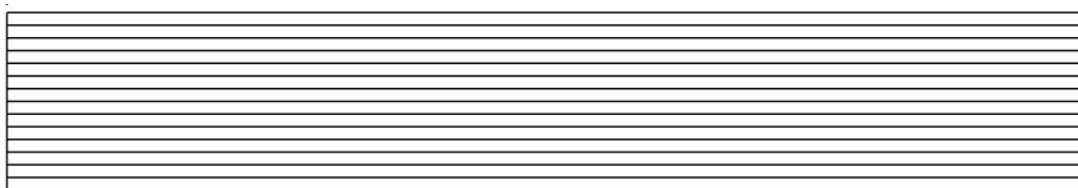


Example: Opposite K1R is K1L.

Window (0.1mm thickness poly styrene clear sheet)



Masking tape



Rod parts

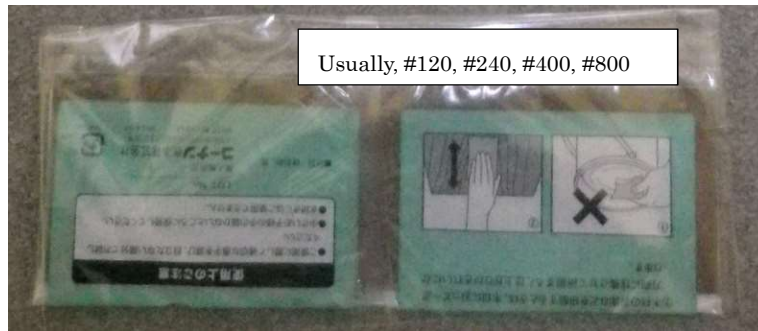
1/72: ϕ 1.8mm bamboo, ϕ 0.6mm ϕ 0.8mm brass rod, ϕ 1.0mm PS rod

1/48: ϕ 1.8mm ϕ 3.0mm bamboo, ϕ 0.8mm ϕ 1.2mm brass rod, ϕ 1.0mm PS rod



Sand paper set and PS plate

Example: Opposite K1R is K1L.



Sand for dummy weight 1/72: approx. 20 grams, 1/48: approx. 65 grams

