



Wide, Hard, and Long Scale Model Series

1/72&1/48 scale Hawker Siddeley HS748 airliner ver. kit

6 October, 2022 Edition

Size dimension in this instruction is “millimeters” .

Designed by Toshihiko Shimizu

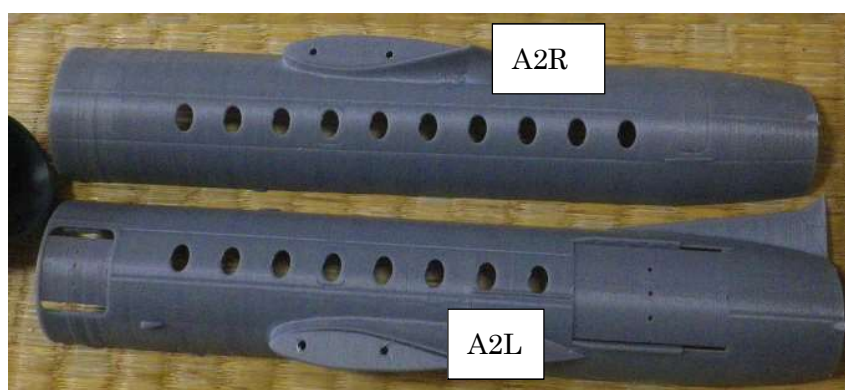
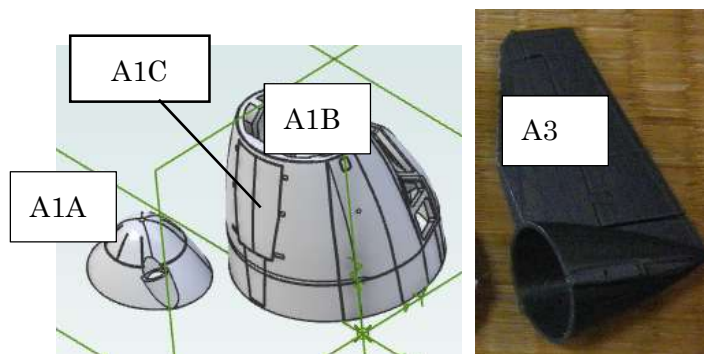
3D printed in Japan

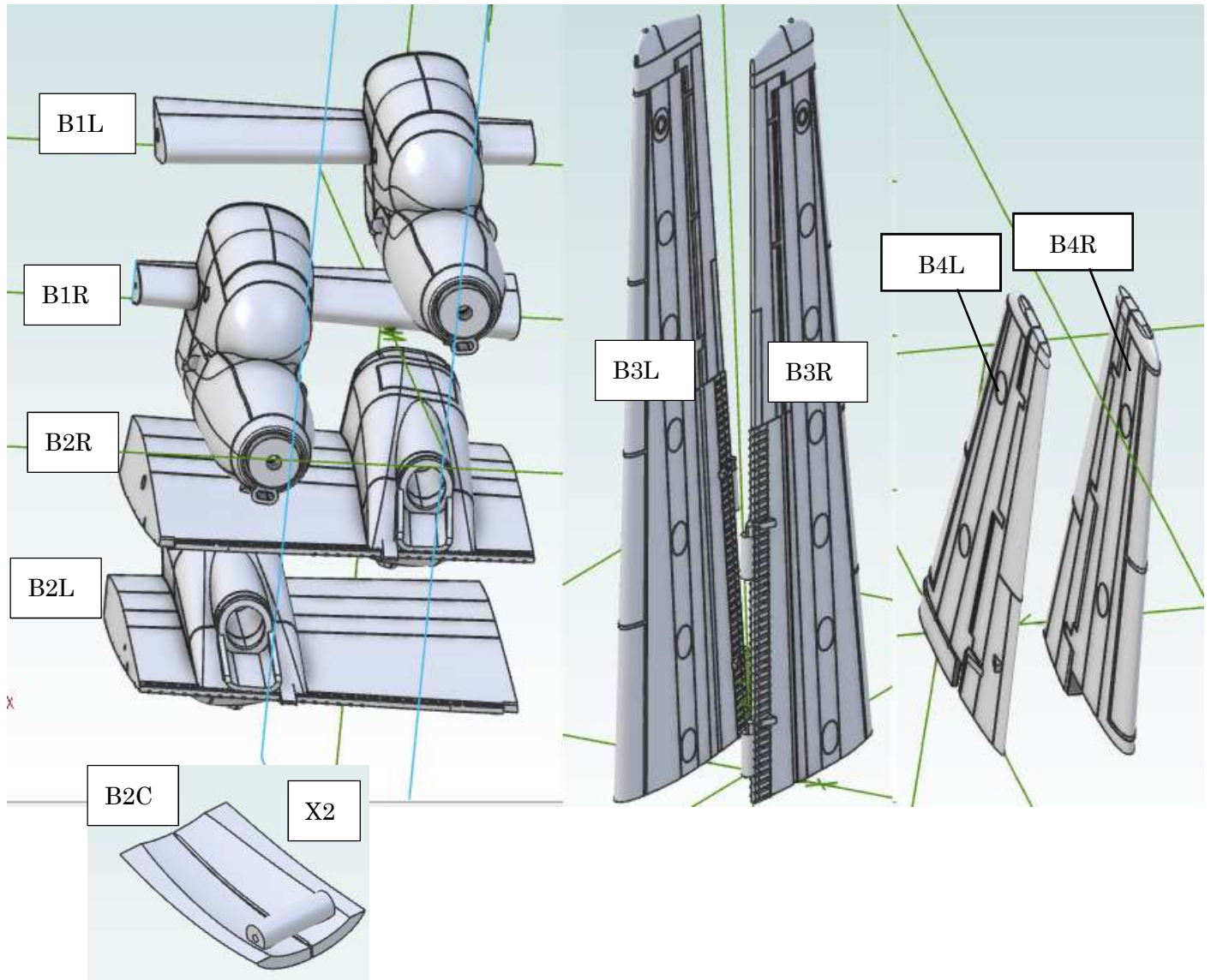
ABS filament and resin for 3D printers Made in China

1 The kit inbox

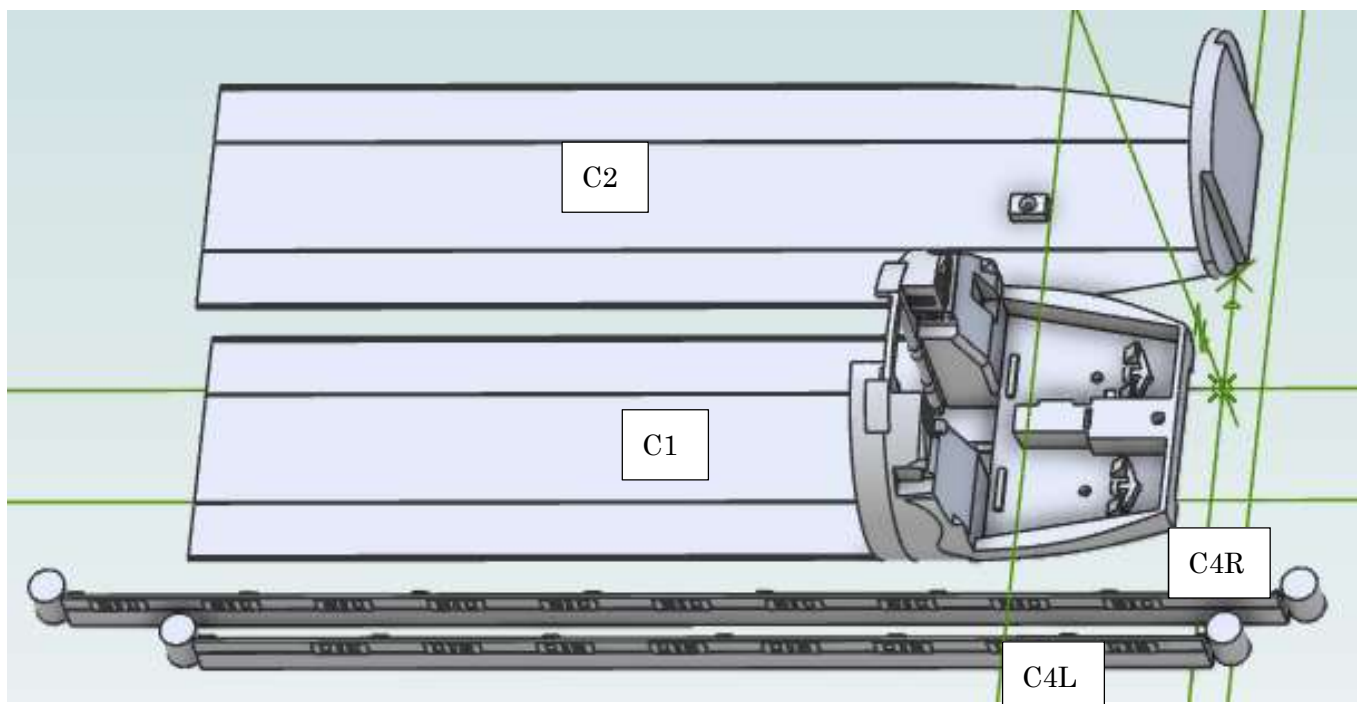
Wing and fuselage

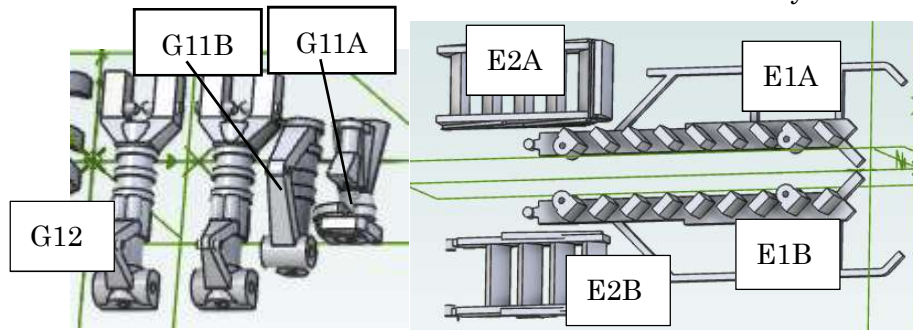
(inside and outside burr should be removed carefully before painting or assembling)



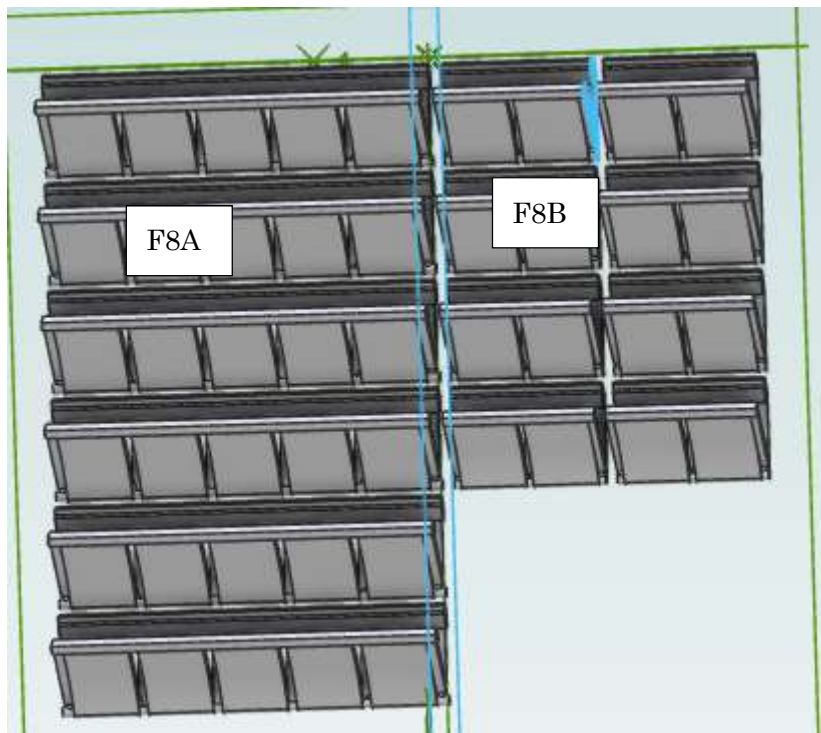
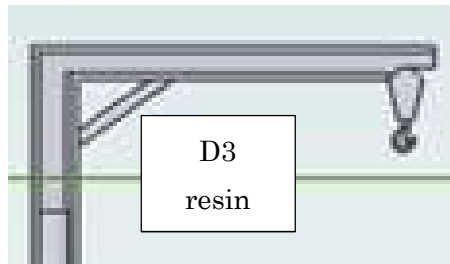


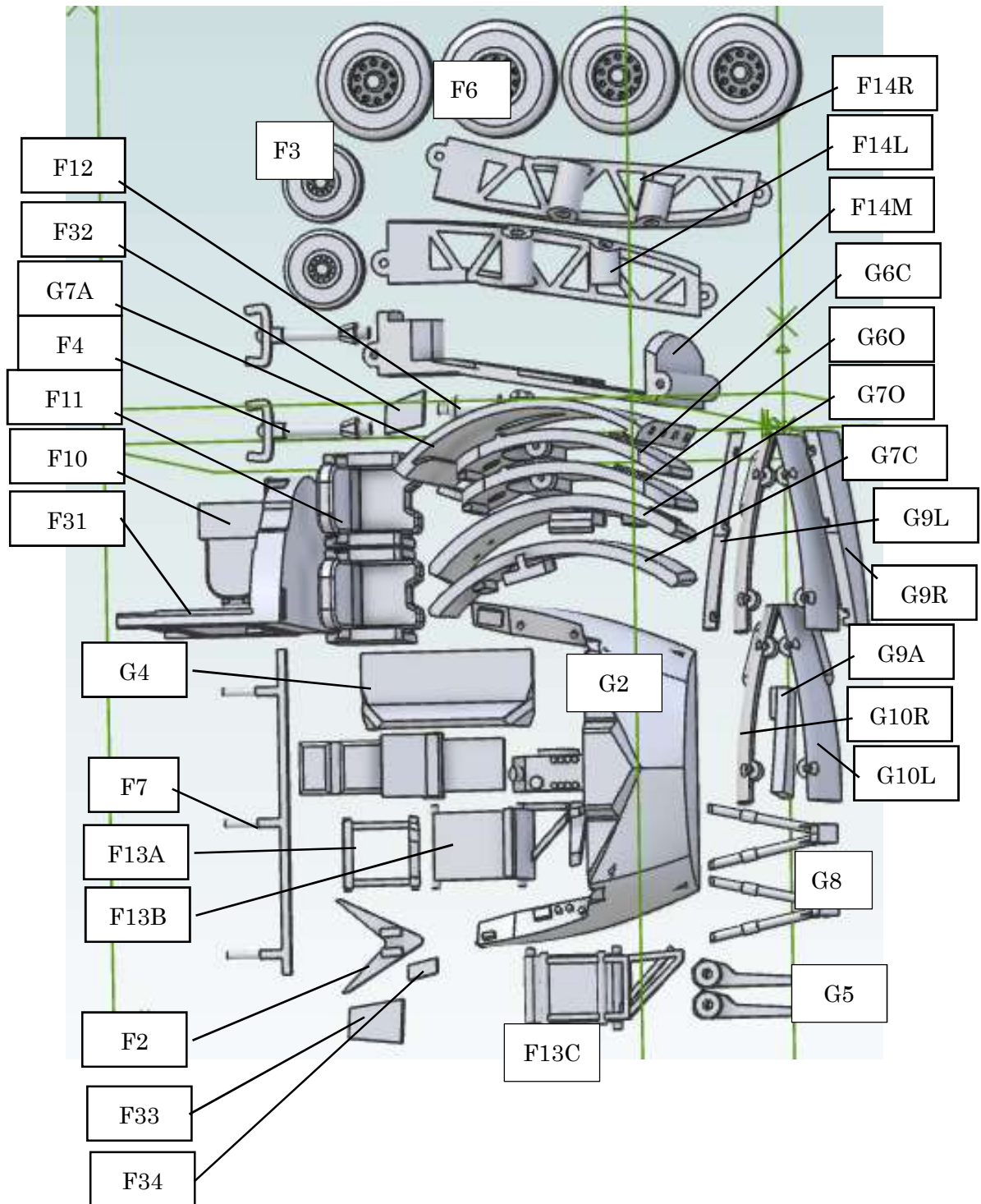
Interior and exterior accessories

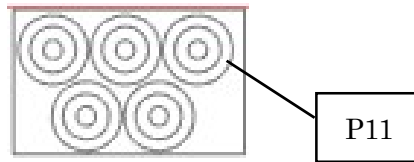




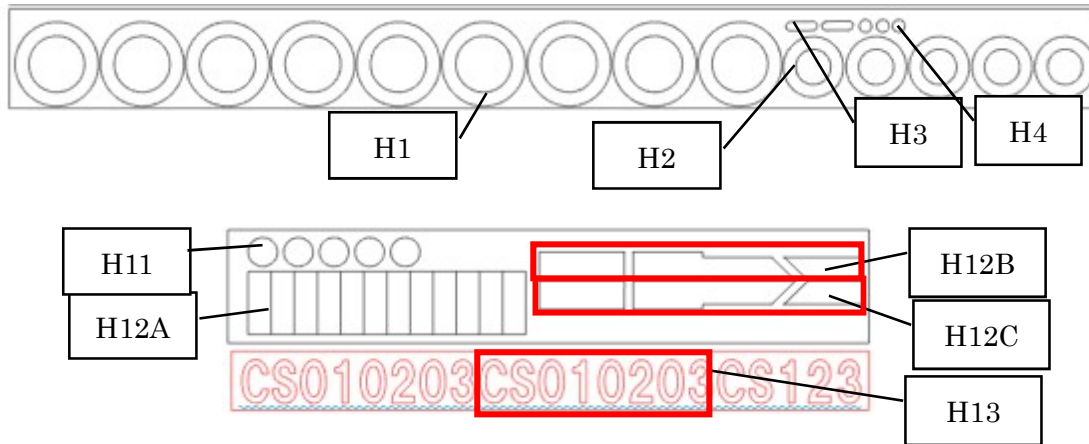
From SN164, Q11A, Q11B and Q12 are made of resin.



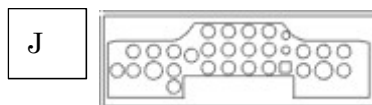




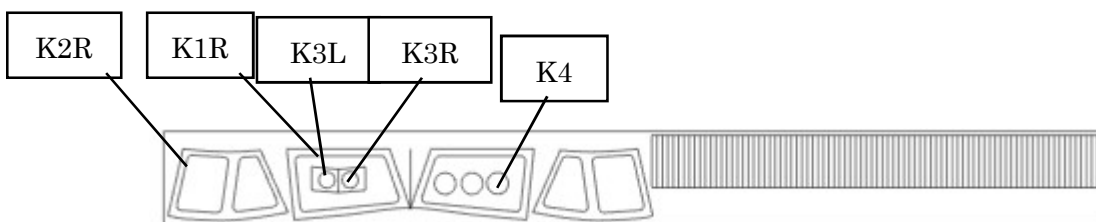
Sticker black



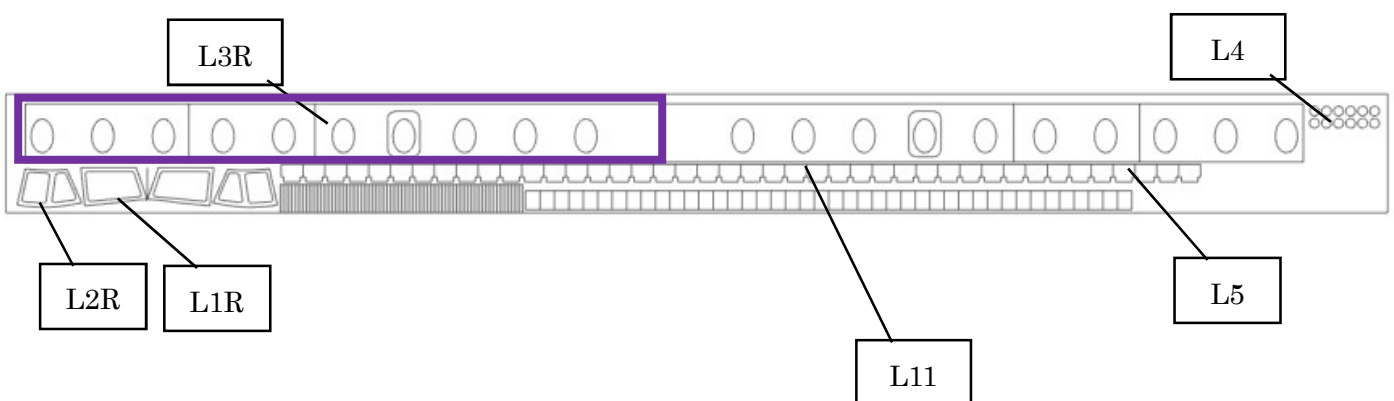
Sticker grey



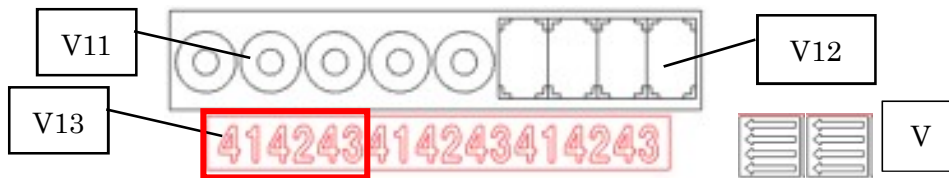
Sticker silver



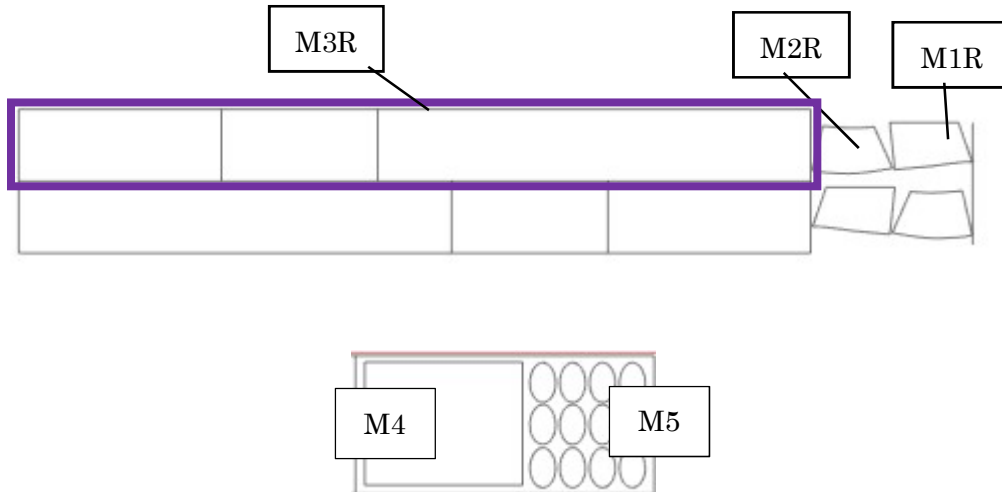
Sticker white



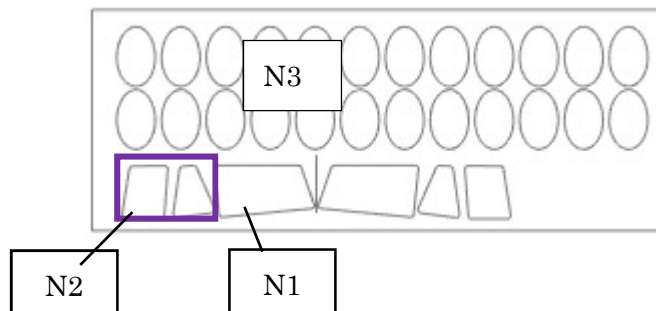
L-extra mean margin line between L3 and L5. It is necessary to make cargo door mold in this ver!!



Clear tape for passenger window



Window (0.1mm thickness poly styrene clear sheet)



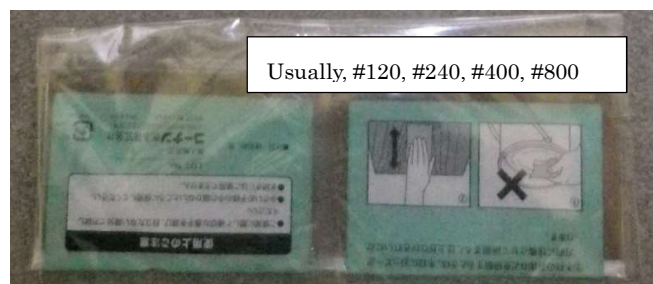
Rod parts

1/72: ϕ 1.8mm bamboo, ϕ 0.6mm ϕ 0.8mm brass rod, ϕ 1.0mm PS rod

1/48: ϕ 1.8mm ϕ 3.0mm bamboo, ϕ 0.8mm ϕ 1.2mm brass rod, ϕ 1.0mm PS rod



Sand paper set and PS plate



Sand for dummy weight 1/72: approx. 20 grams, 1/48: approx. 65 grams

