



Wide, Hard, and Long Scale Model Series

1/72&1/48 scale Hawker Siddeley HS748 AWACS ver. kit

28 September, 2022 Edition

Size dimension in this instruction is “millimeters” .

Designed by Toshihiko Shimizu

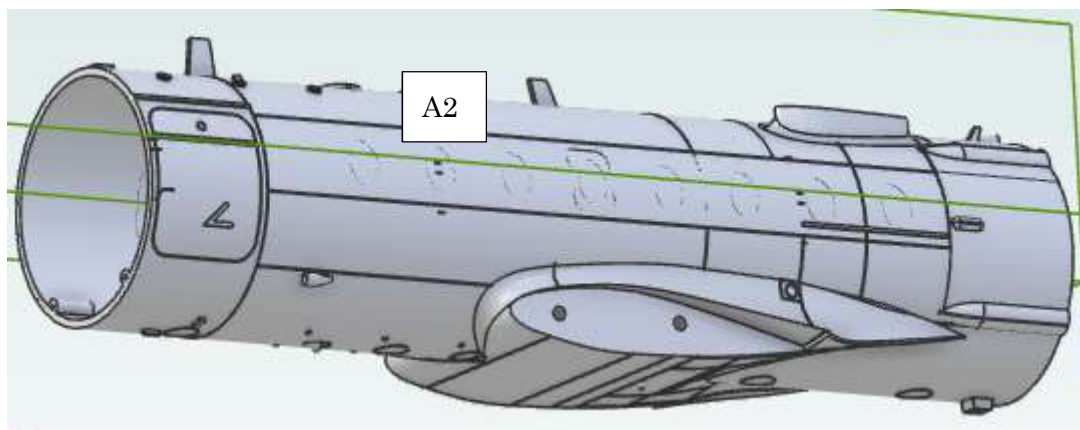
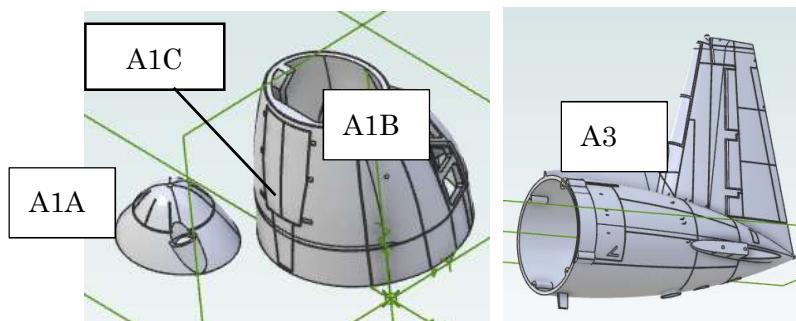
Printed in Japan

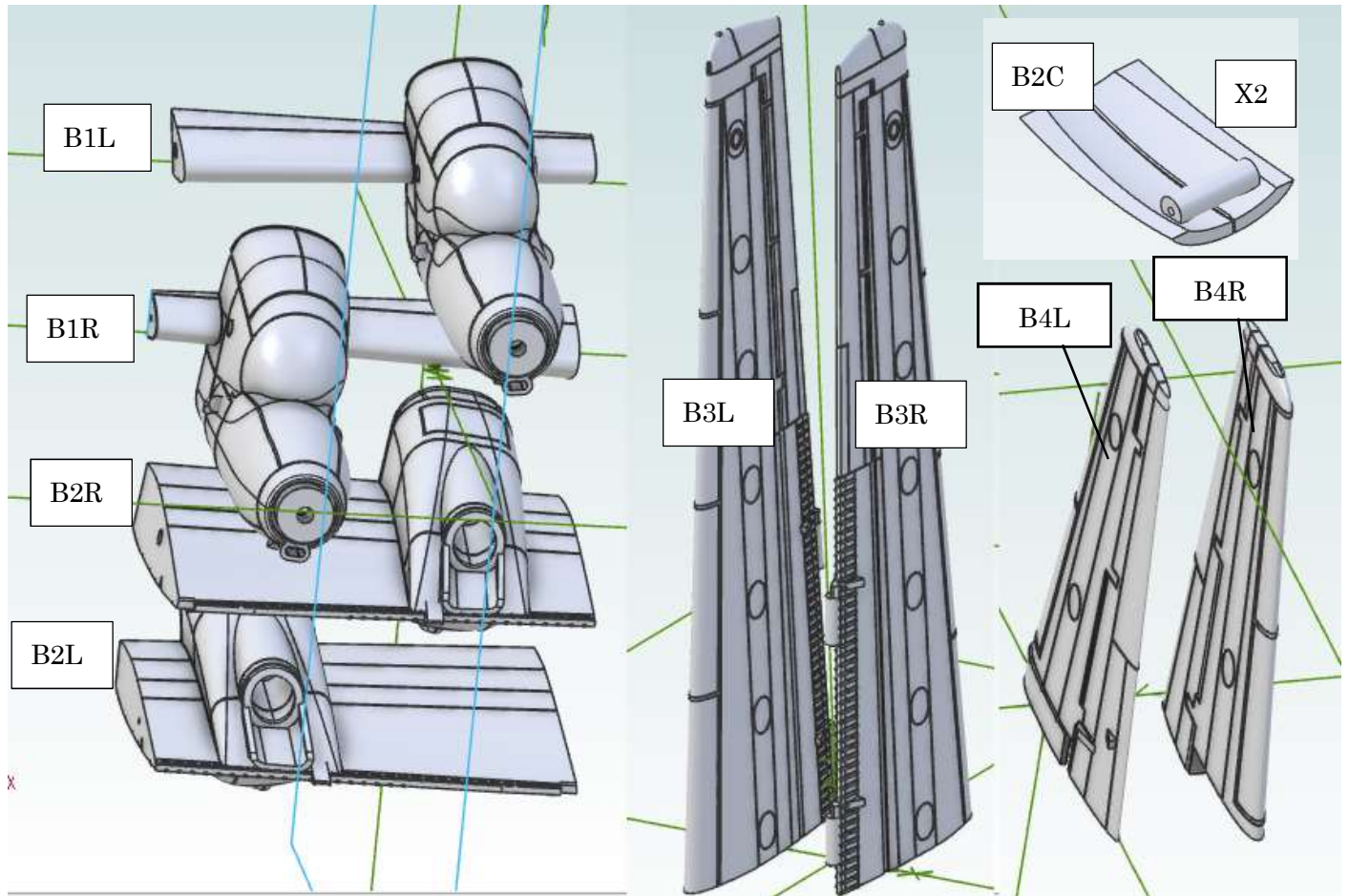
ABS and HIPS filament for 3D printers Made in Taiwan or China

1 The kit inbox

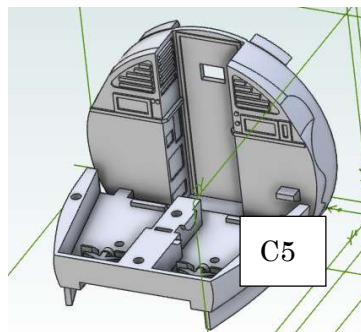
Wing and fuselage

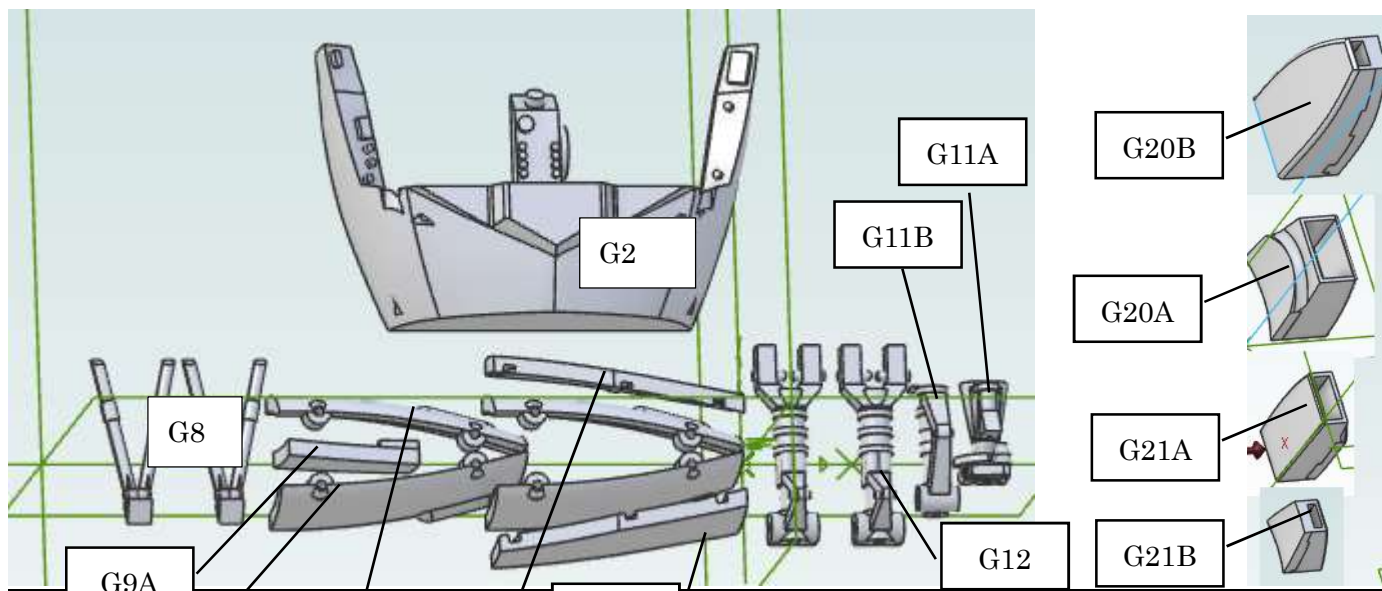
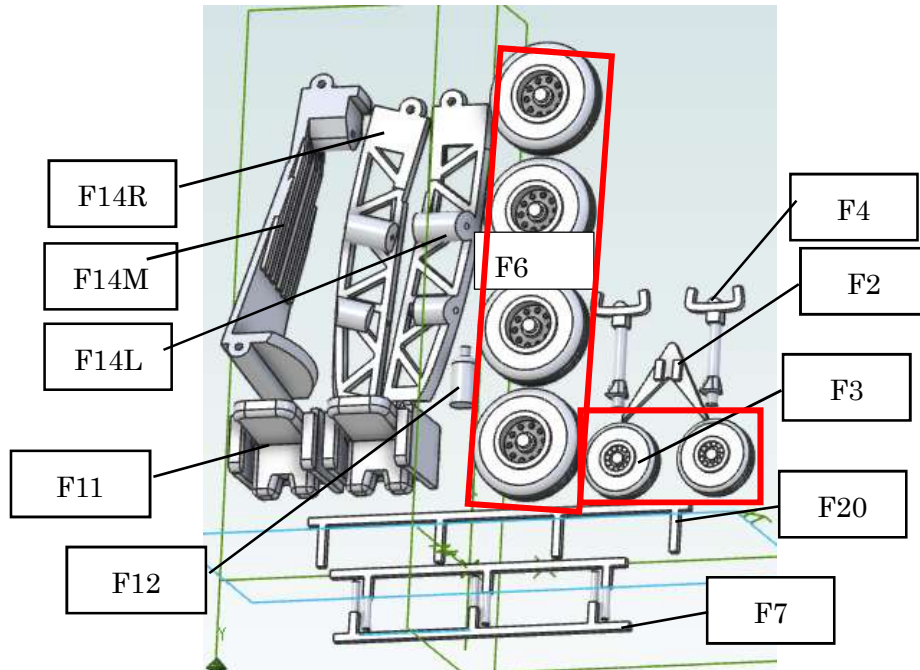
(inside and outside burr should be removed carefully before painting or assembling)





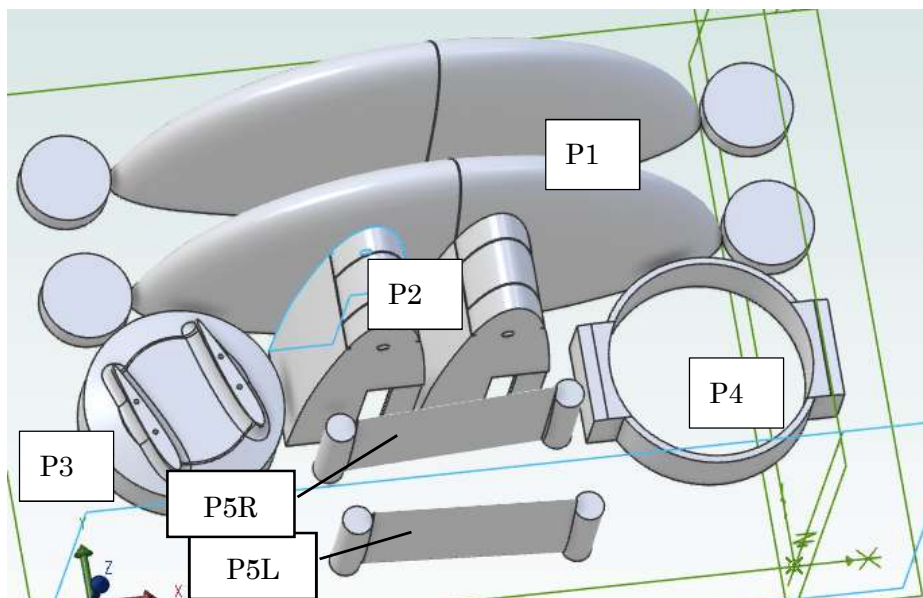
Interior and exterior accessories



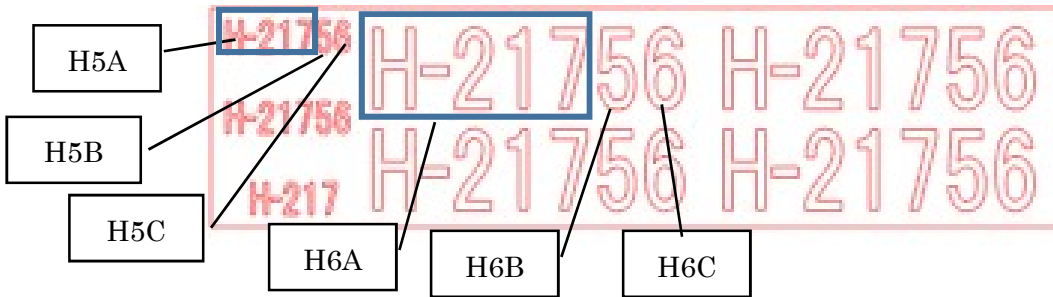
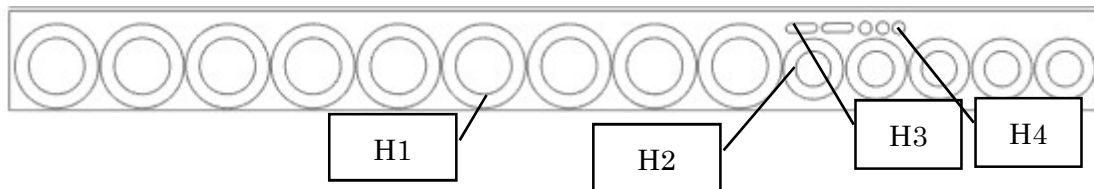


From SN164, G11A, G11B and G12 are made of resin.

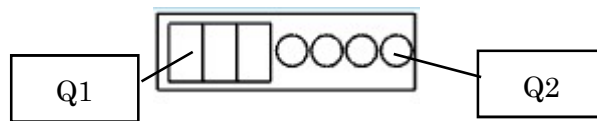
Radome parts



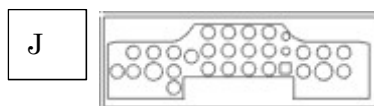
Sticker black



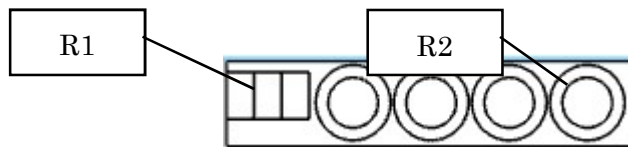
Sticker green



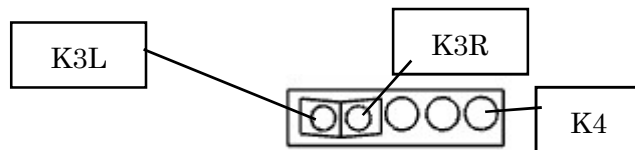
Sticker grey



Sticker red and orange

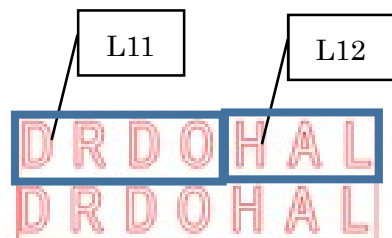
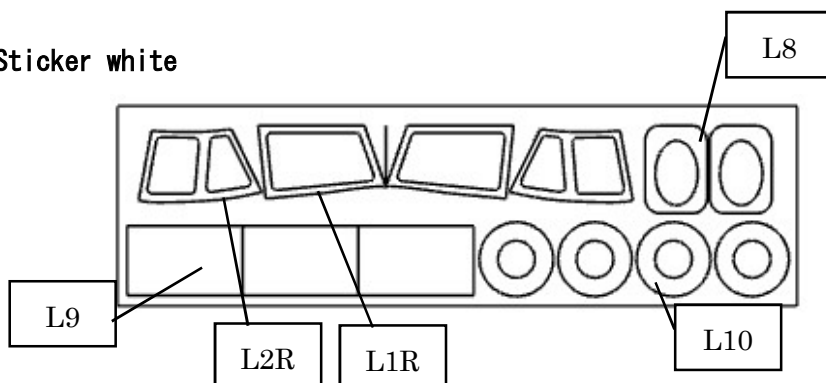


Sticker silver



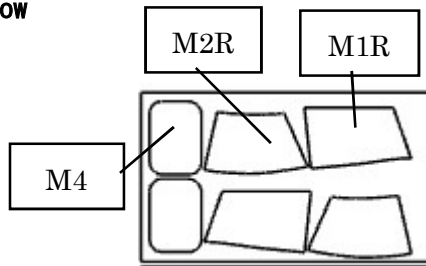
Example: Opposite K1R is K1L.

Sticker white



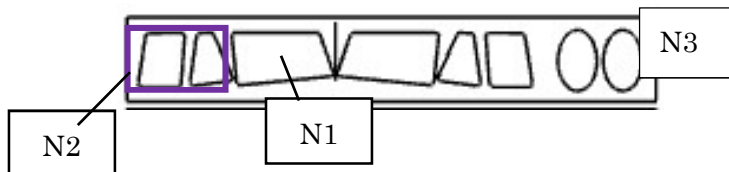
Example: Opposite K1R is K1L.

Clear tape for passenger window

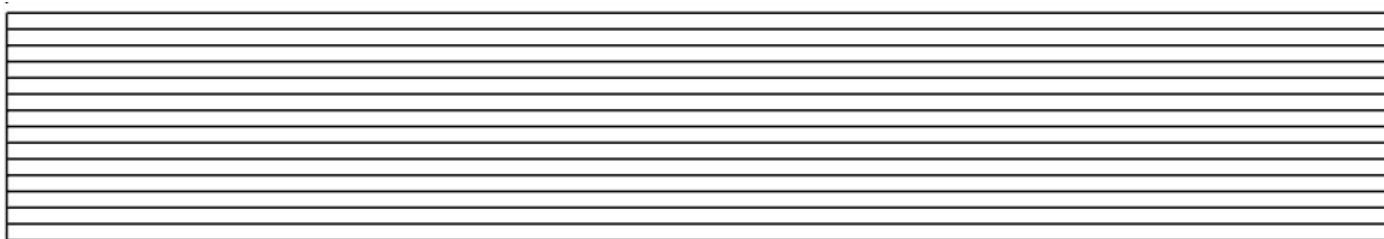


Example: Opposite K1R is K1L.

Window (0.1mm thickness poly styrene clear sheet)



Masking tape



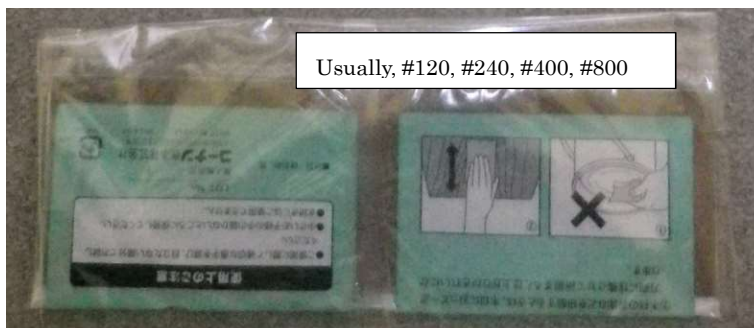
Rod parts

1/72: ϕ 1.8mm bamboo, ϕ 0.6mm ϕ 0.8mm brass rod, ϕ 1.0mm PS rod

1/48: ϕ 1.8mm ϕ 3.0mm bamboo, ϕ 0.8mm ϕ 1.2mm brass rod, ϕ 1.0mm PS rod



Sand paper set and PS plate



Sand for dummy weight 1/72: approx. 20 grams, 1/48: approx. 65 grams

