



## Wide, Hard, and Long Scale Model Series

1/72&1/48&1/32 Hawker Siddeley HS748 airliner ver. kit

12 November, 2022 Edition

Size dimension in this instruction is “millimeters” .

Designed by Toshihiko Shimizu

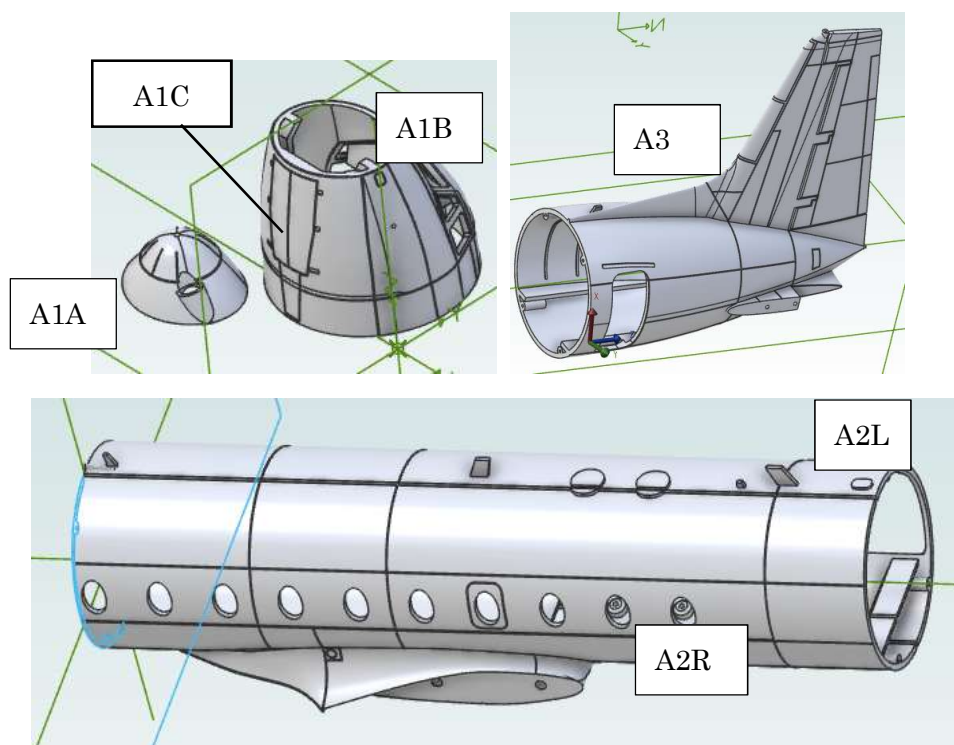
Printed in Japan

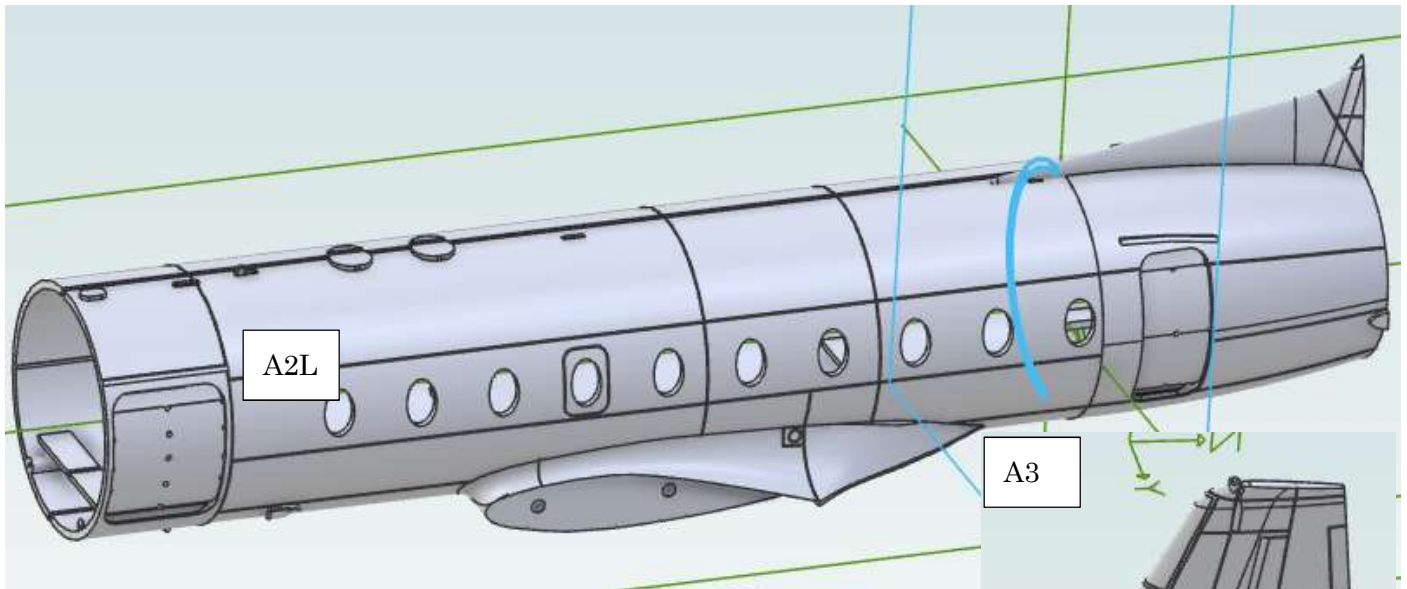
ABS filament and resin for 3D printers Made in China

## 1 The kit inbox

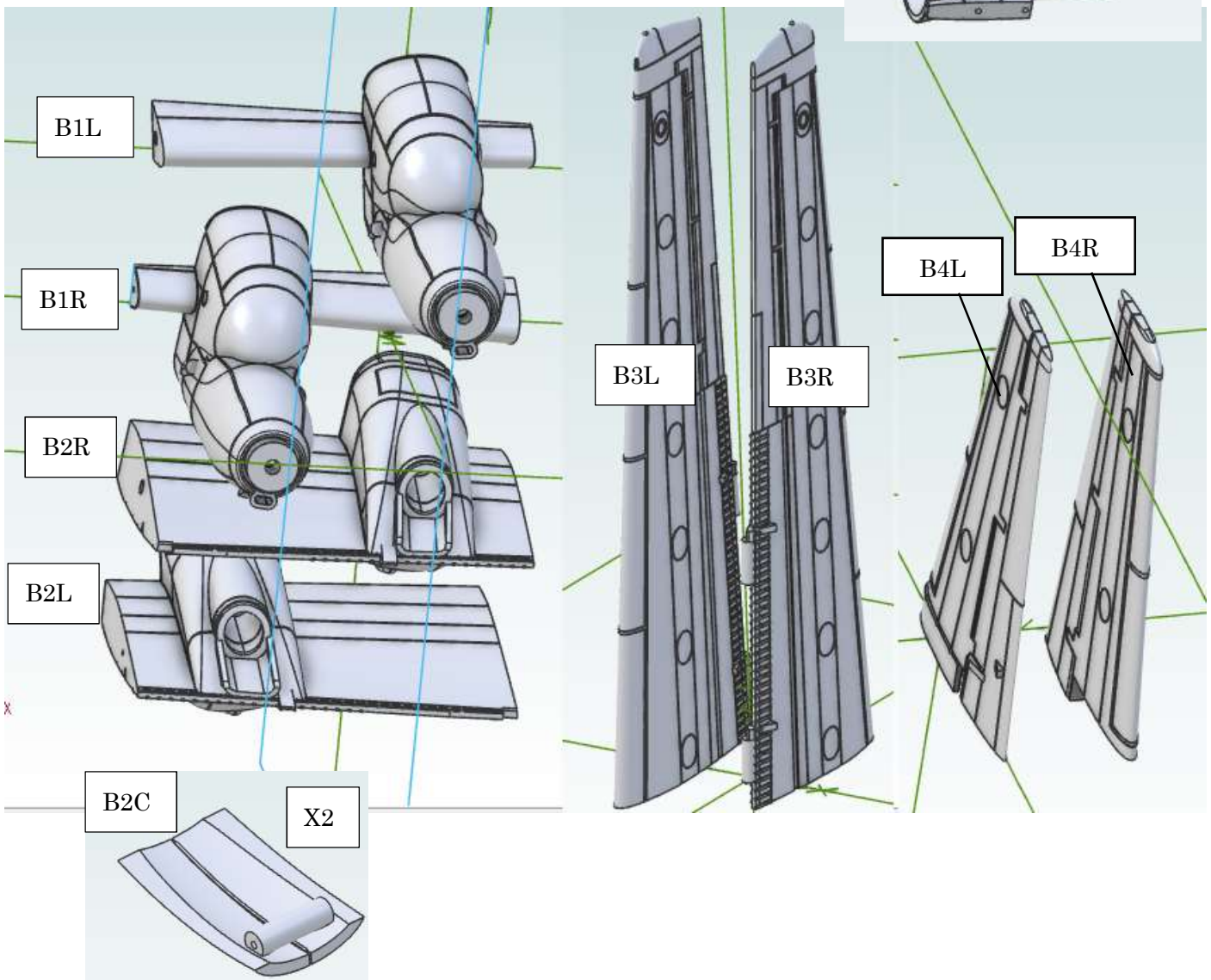
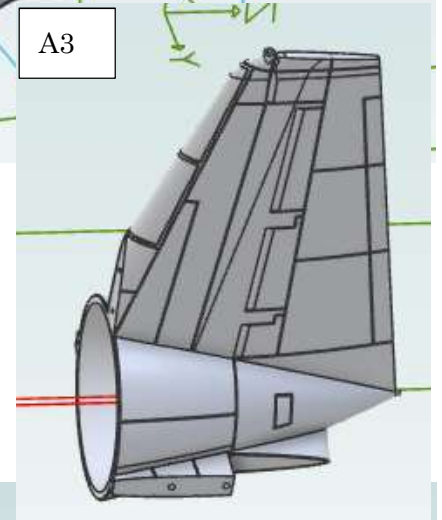
Wing and fuselage

(inside and outside burr should be removed carefully before painting or assembling)

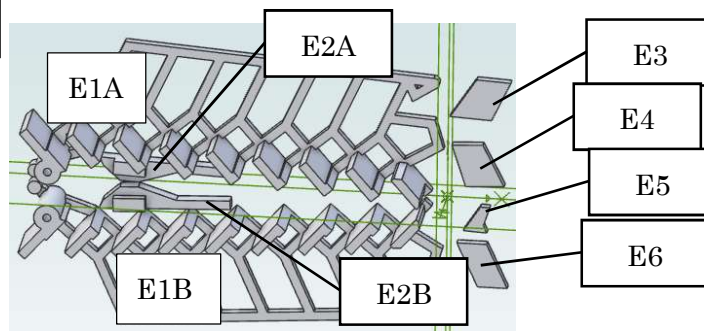
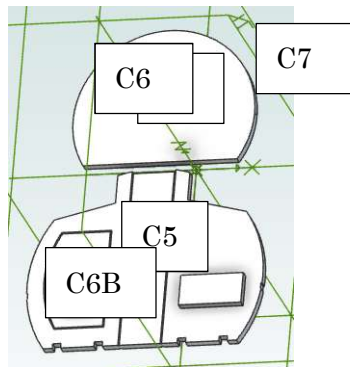
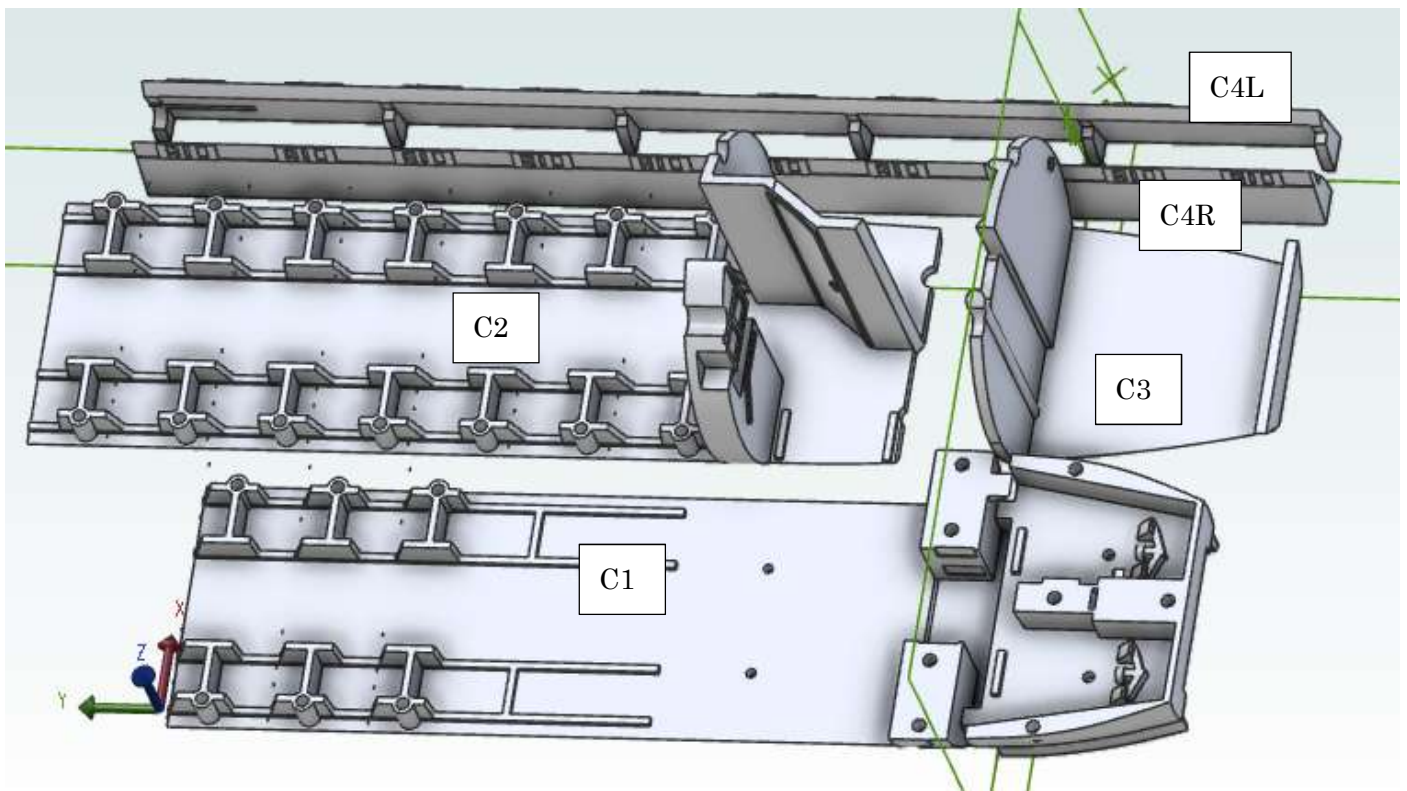




From SN167, I separated part of antennas from A2L.  
I changed A2 and A3 parts arrangement as well.

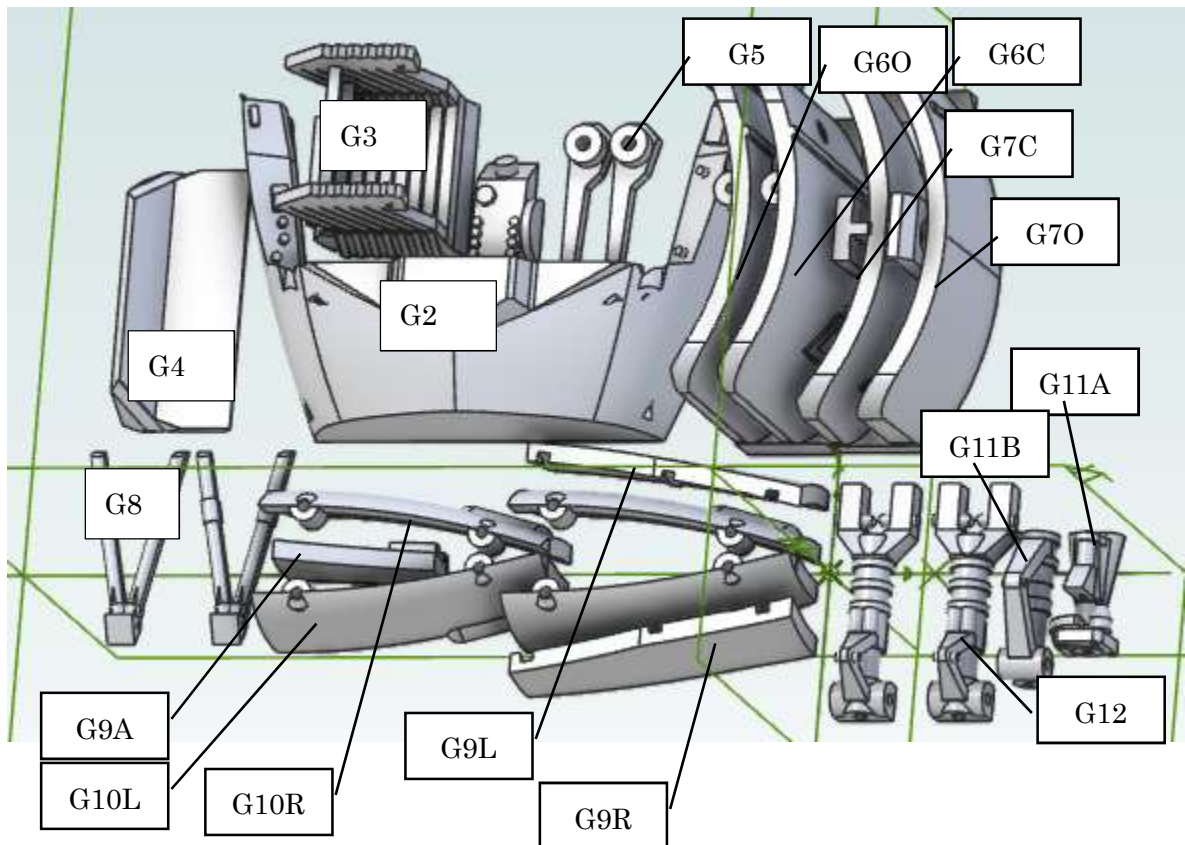
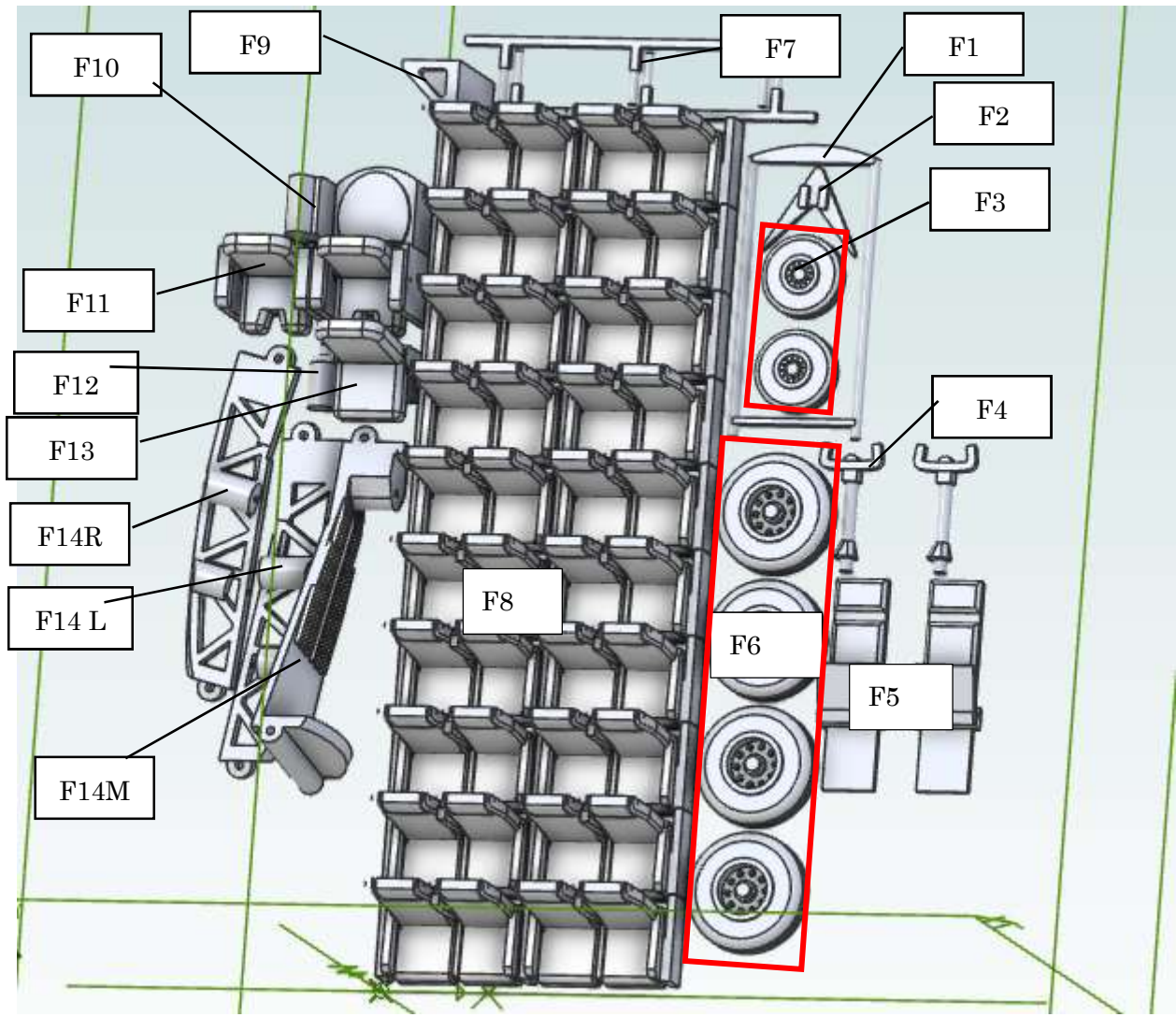


Interior and exterior accessories



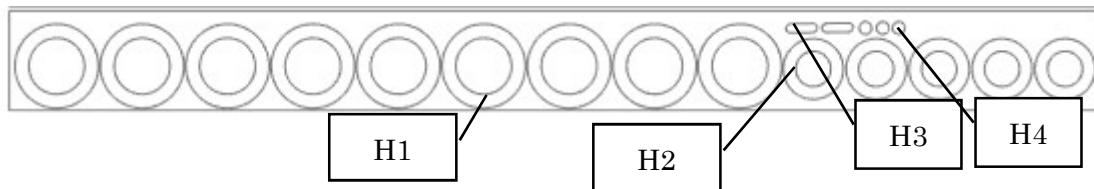
From SN167, I separated part of antennas from A2L.



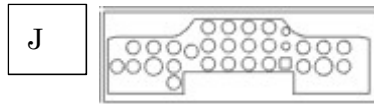


From SN164, Q11A, Q11B and Q12 are made of resin.

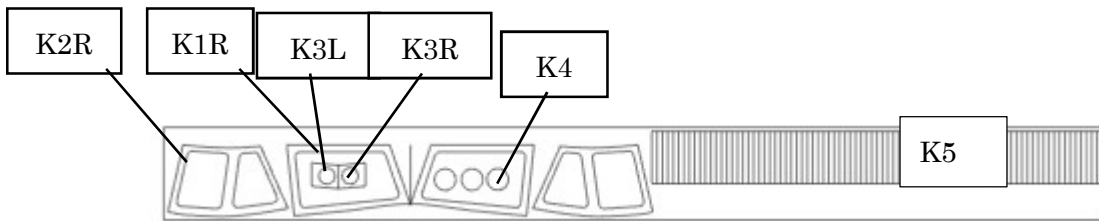
**Sticker black**



**Sticker grey**

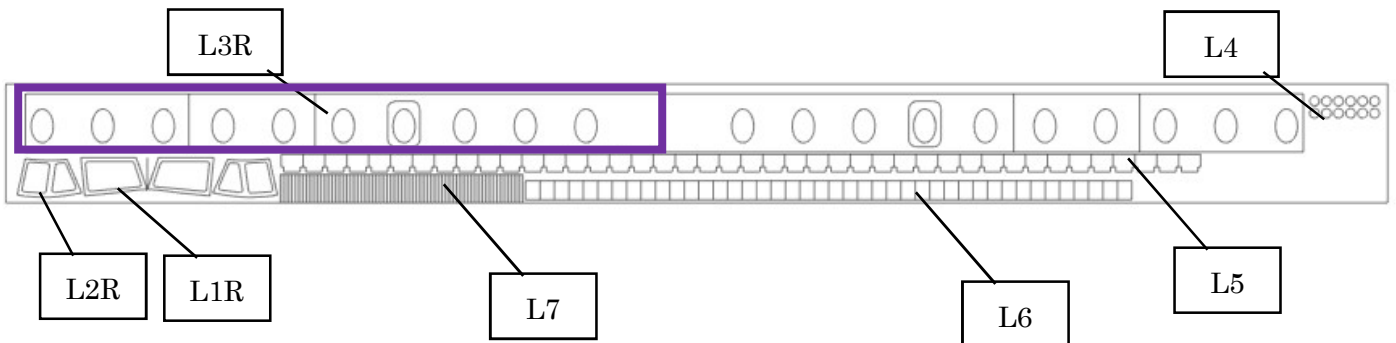


**Sticker silver**



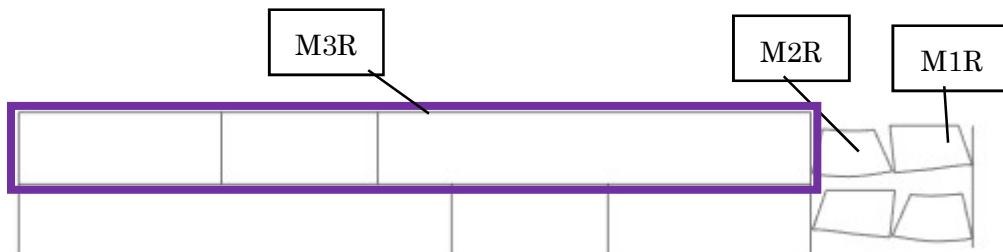
Example: Opposite K1R is K1L.

**Sticker white**



Example: Opposite K1R is K1L.

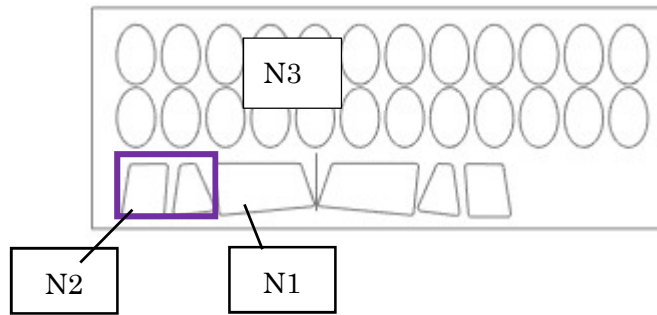
**Clear tape for passenger window**



Example: Opposite K1R is K1L.

**Window (0.1mm thickness poly styrene clear sheet)**

Example: Opposite K1R is K1L.



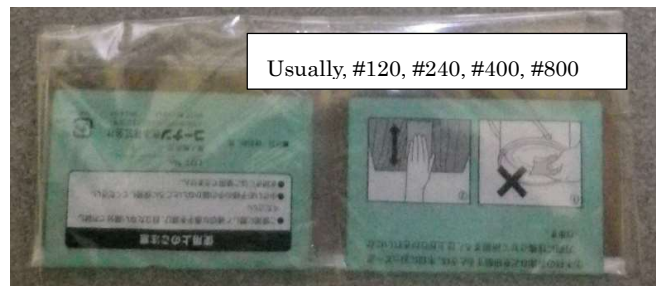
**Rod parts**

1/72:  $\phi$  1.8mm bamboo,  $\phi$  0.6mm  $\phi$  0.8mm brass rod,  $\phi$  1.0mm PS rod

1/48:  $\phi$  1.8mm  $\phi$  3.0mm bamboo,  $\phi$  0.8mm  $\phi$  1.2mm brass rod,  $\phi$  1.0mm PS rod



**Sand paper set and PS plate**



Sand for dummy weight 1/72: approx. 20 grams, 1/48: approx. 65 grams

