



## Wide, Hard, and Long Scale Model Series

1/72&1/48&1/32 scale Embraer E-99M, EMB-145H

16 February, 2024 Edition

Size dimension in this instruction is “millimeters” .

Designed by Toshihiko Shimizu

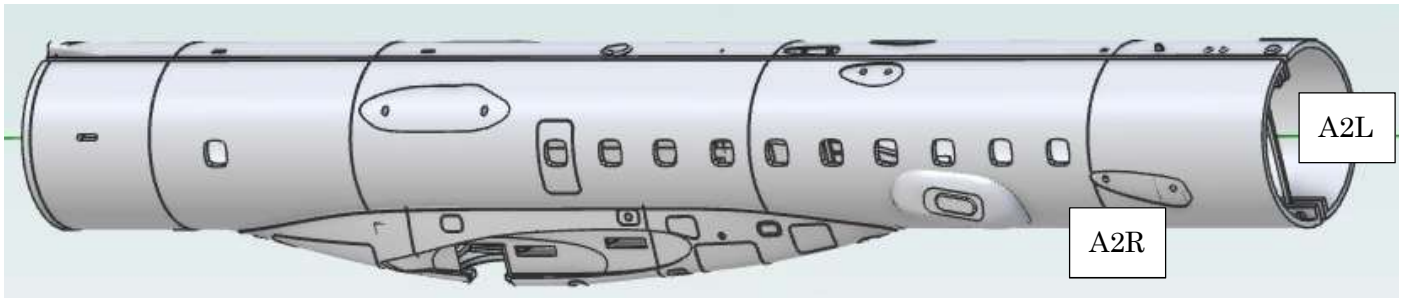
Printed in Japan

PETG filament, ABS filament, and resin Made in China

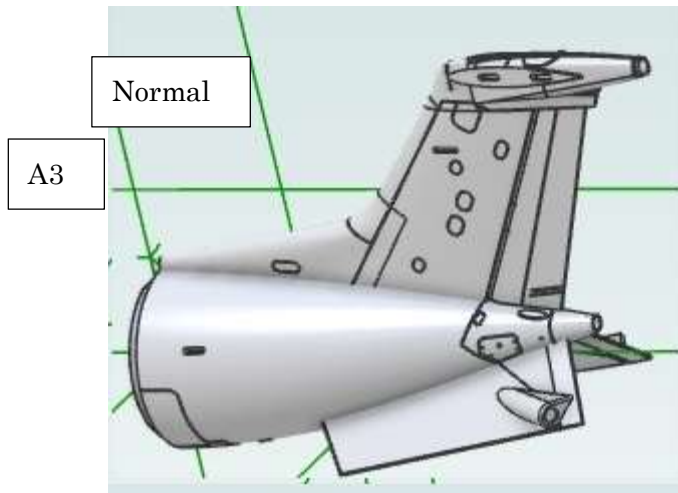
# 1 The kit inbox

## Wing and fuselage

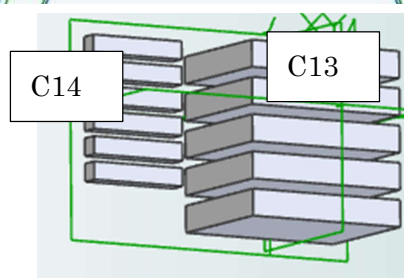
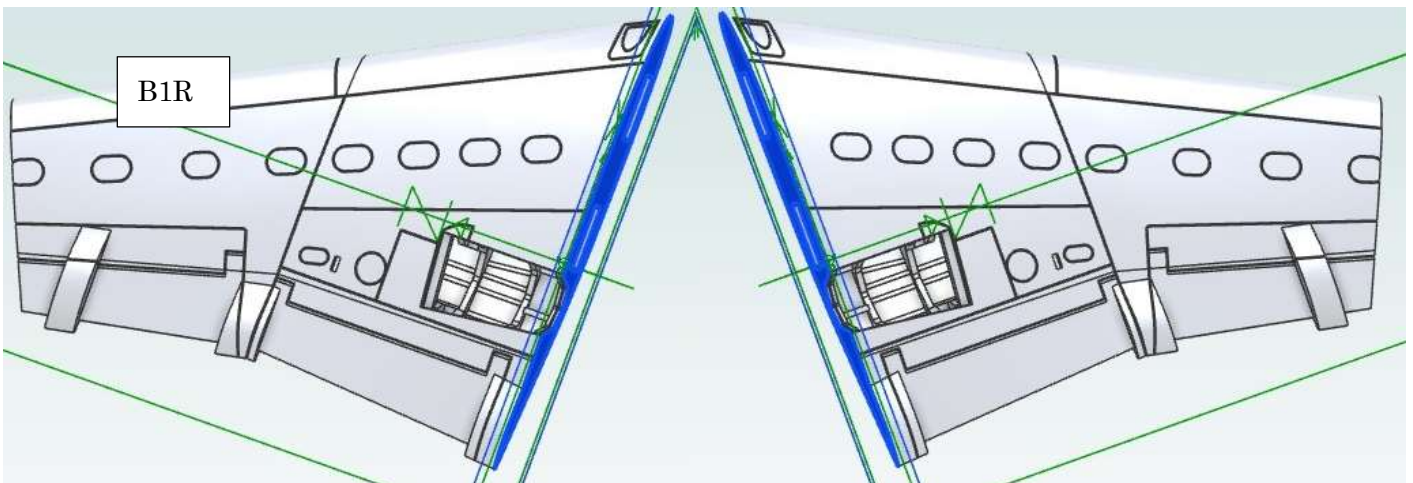
(inside and outside burr should be removed carefully before painting or assembling)

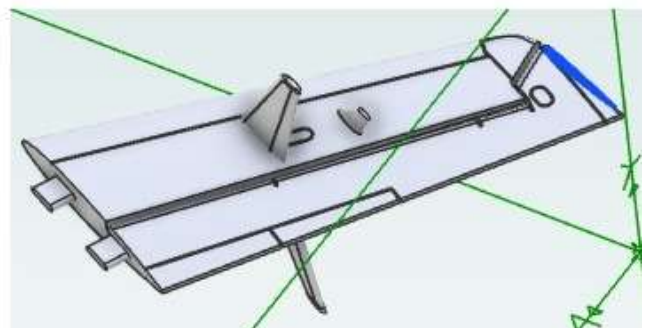
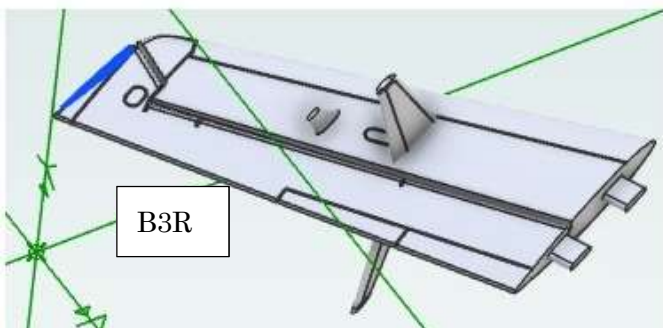
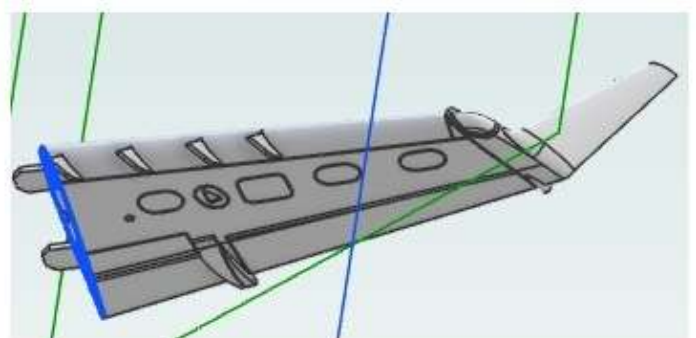
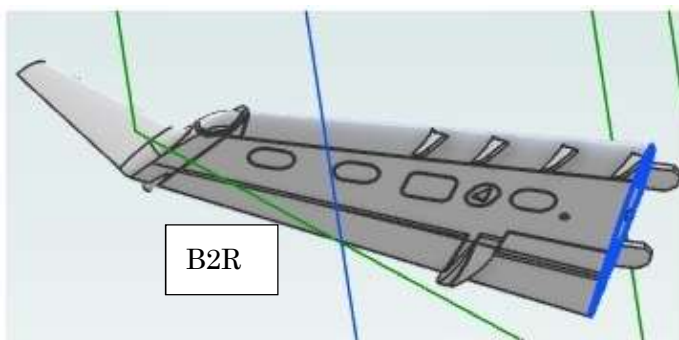
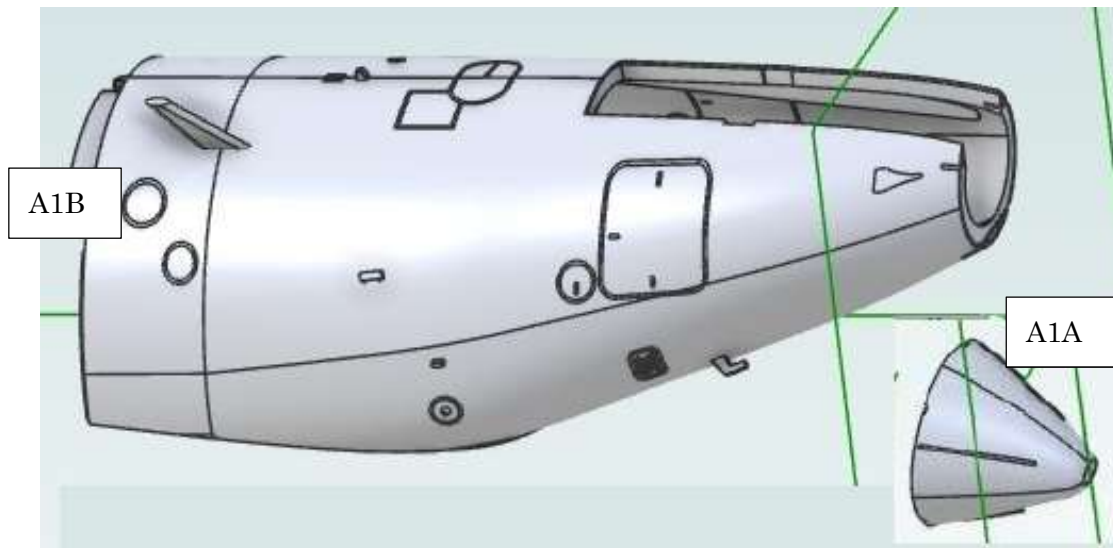


As for 1/48&1/32 A2 parts are divided by forward and after part because of 3D printable area restriction.

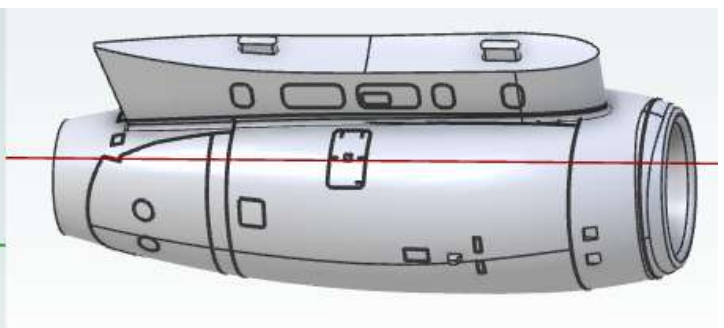
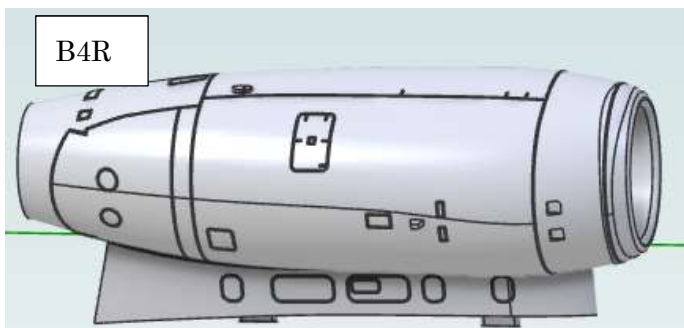


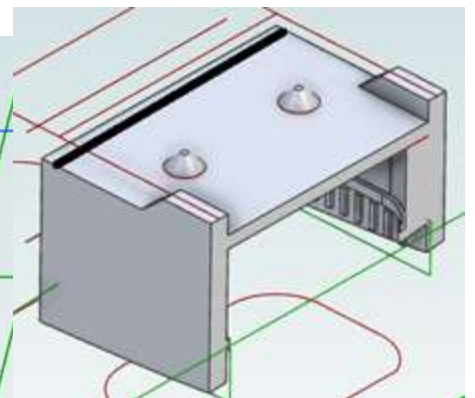
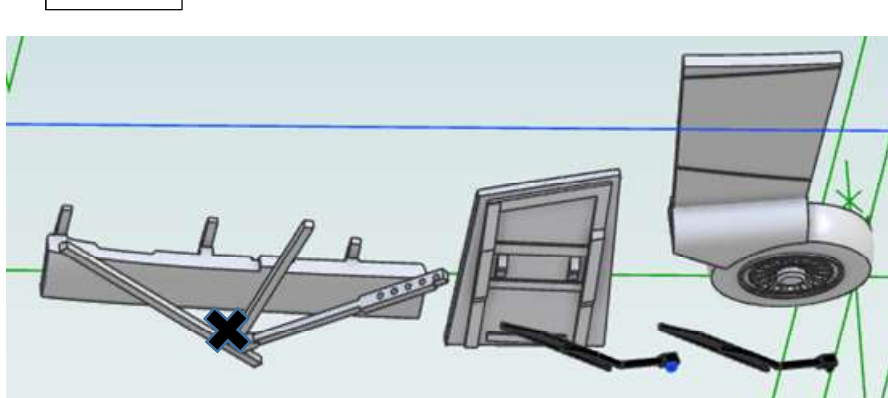
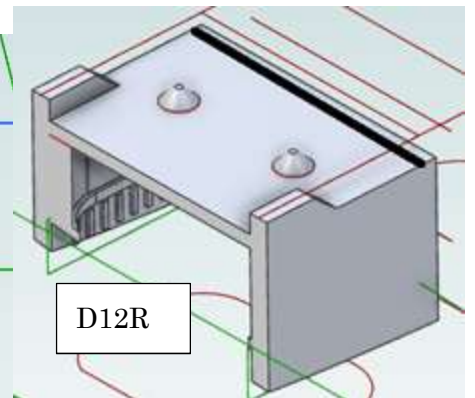
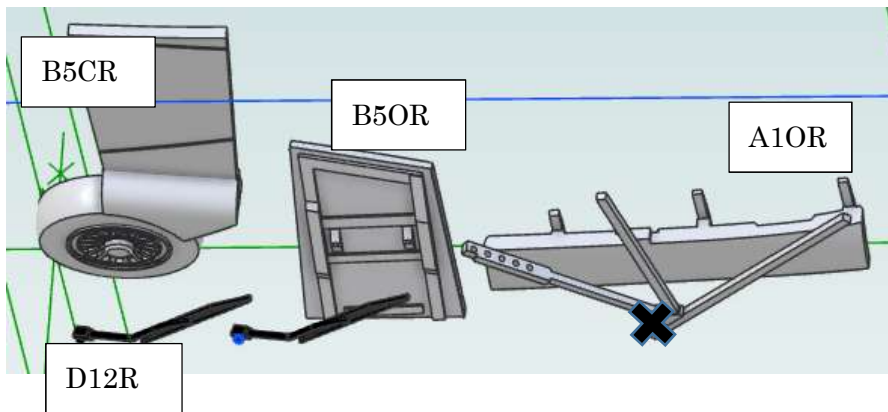
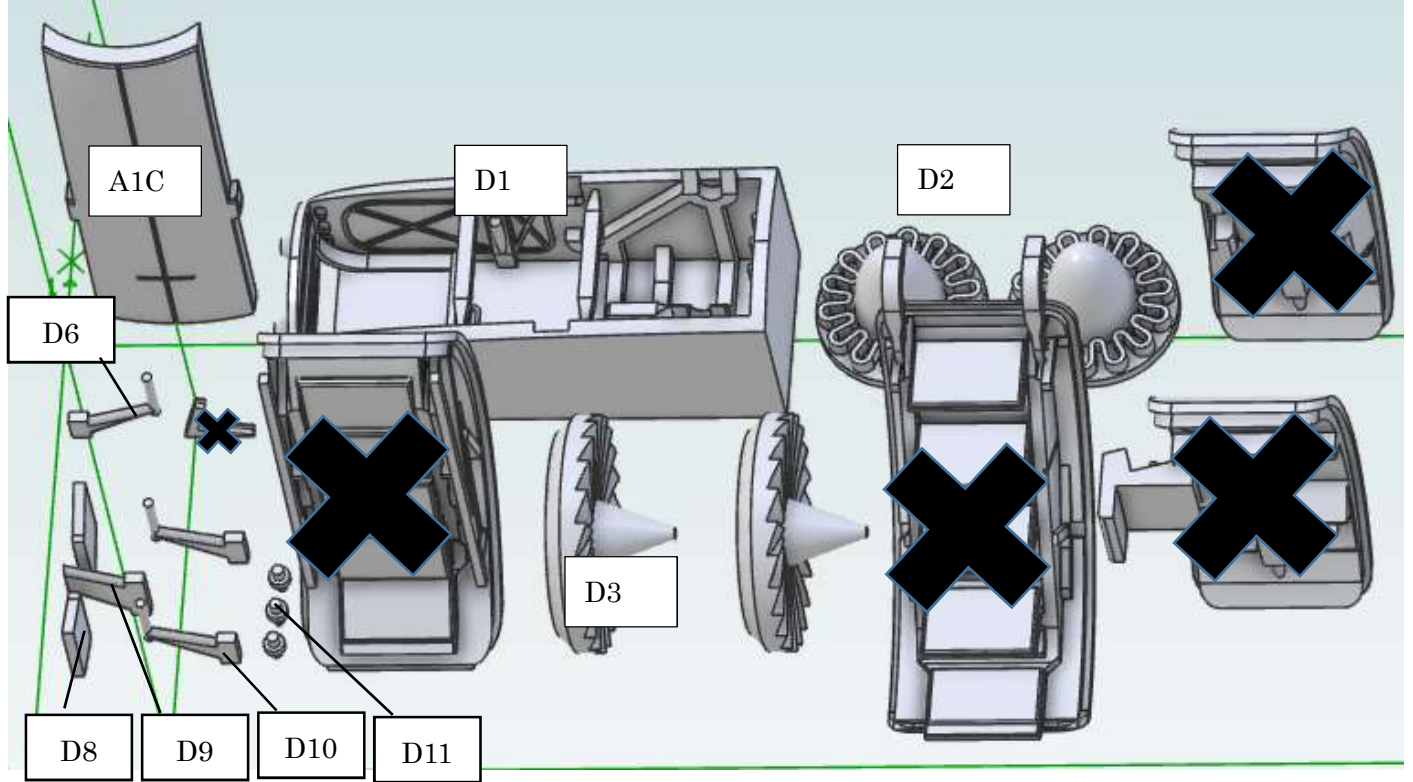
ERJ145XR has pair of ventral strakes!!



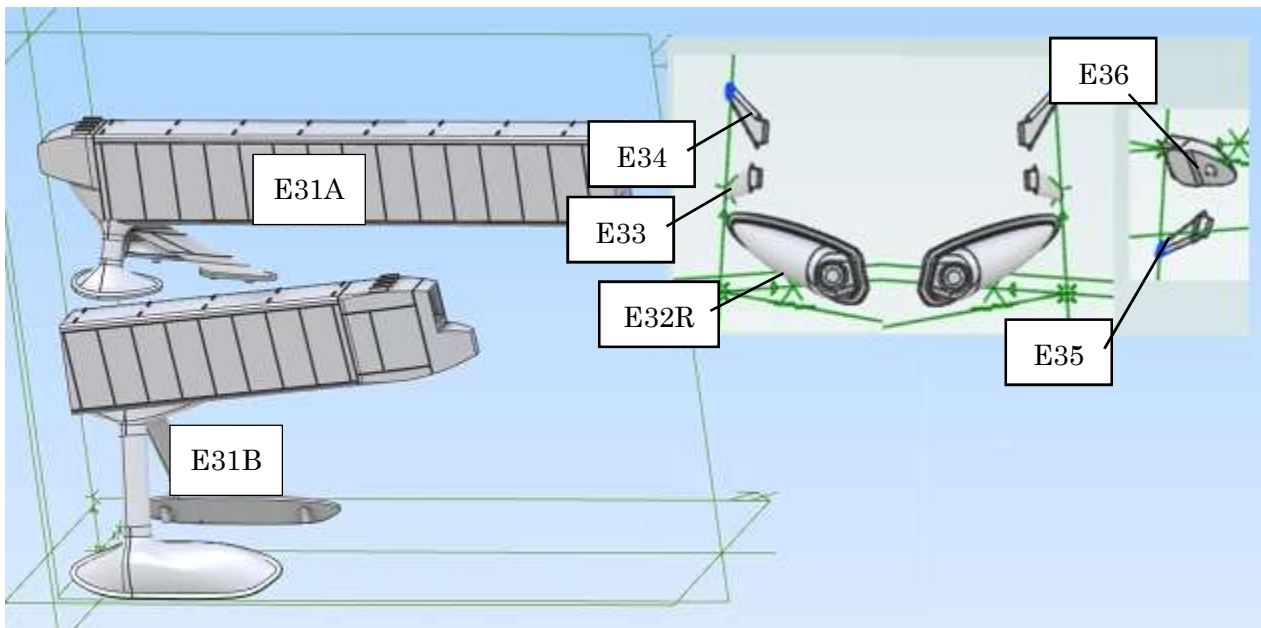
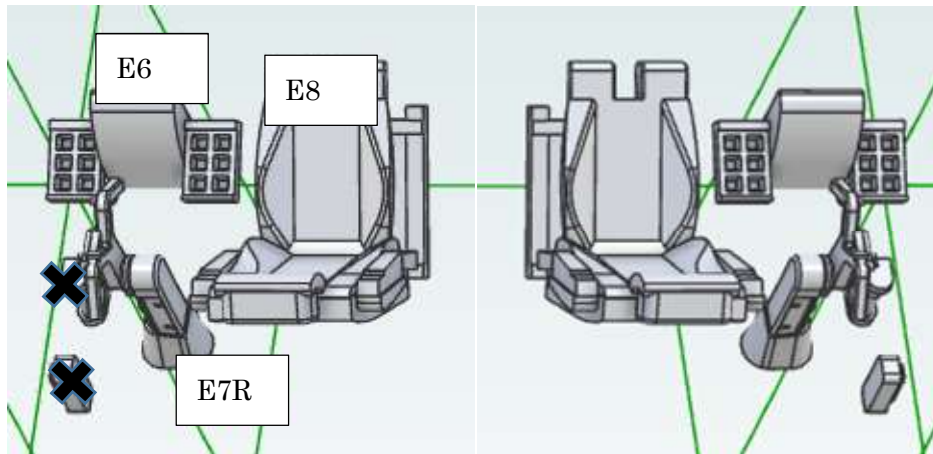
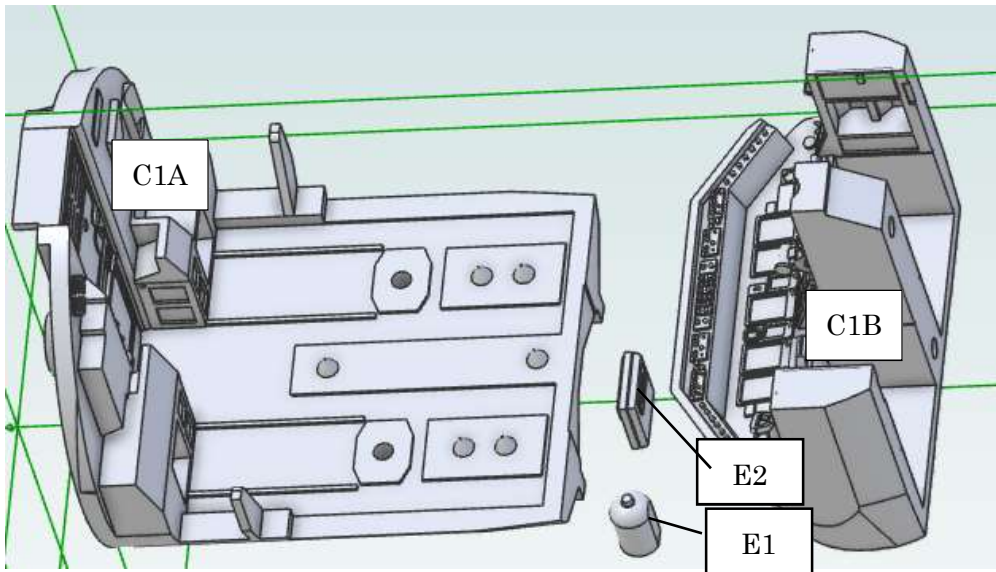


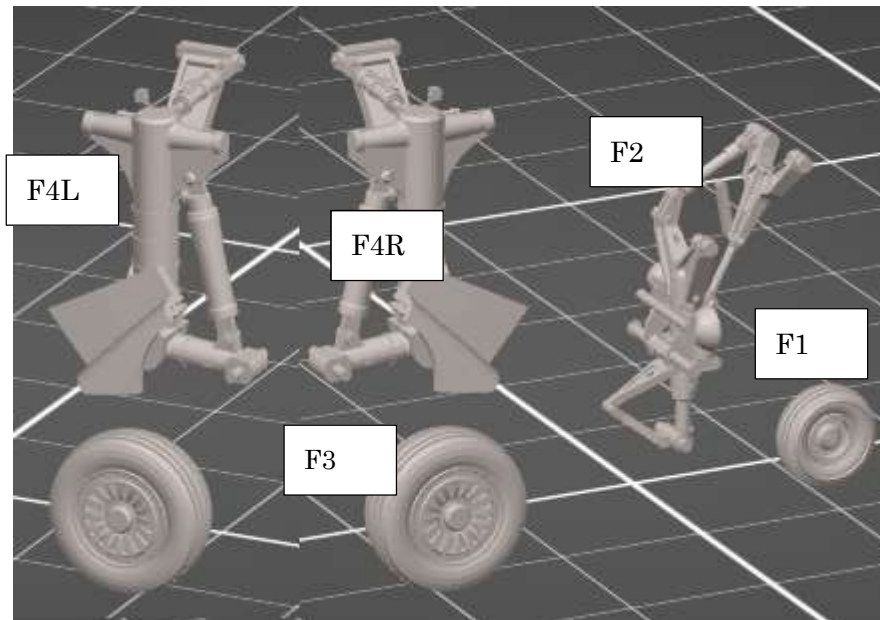
ERJ145XR has pair of winglets!!



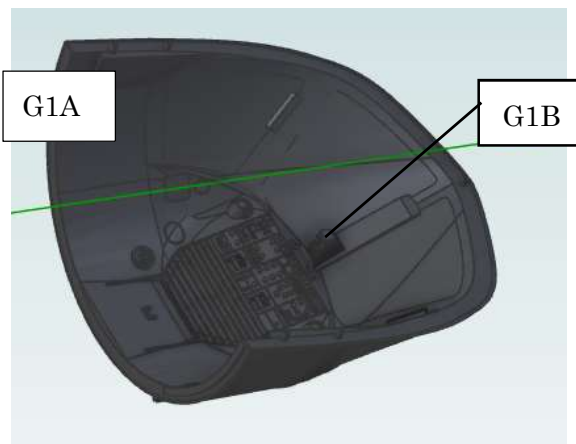






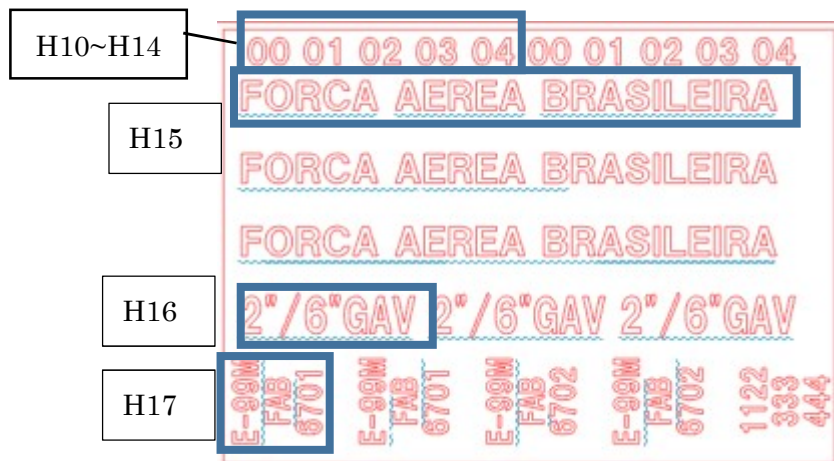
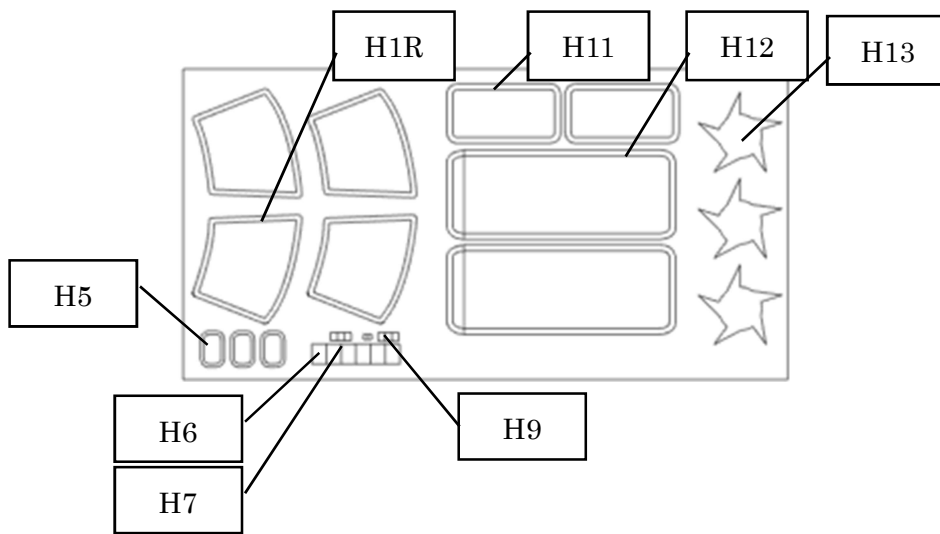


Resin window parts

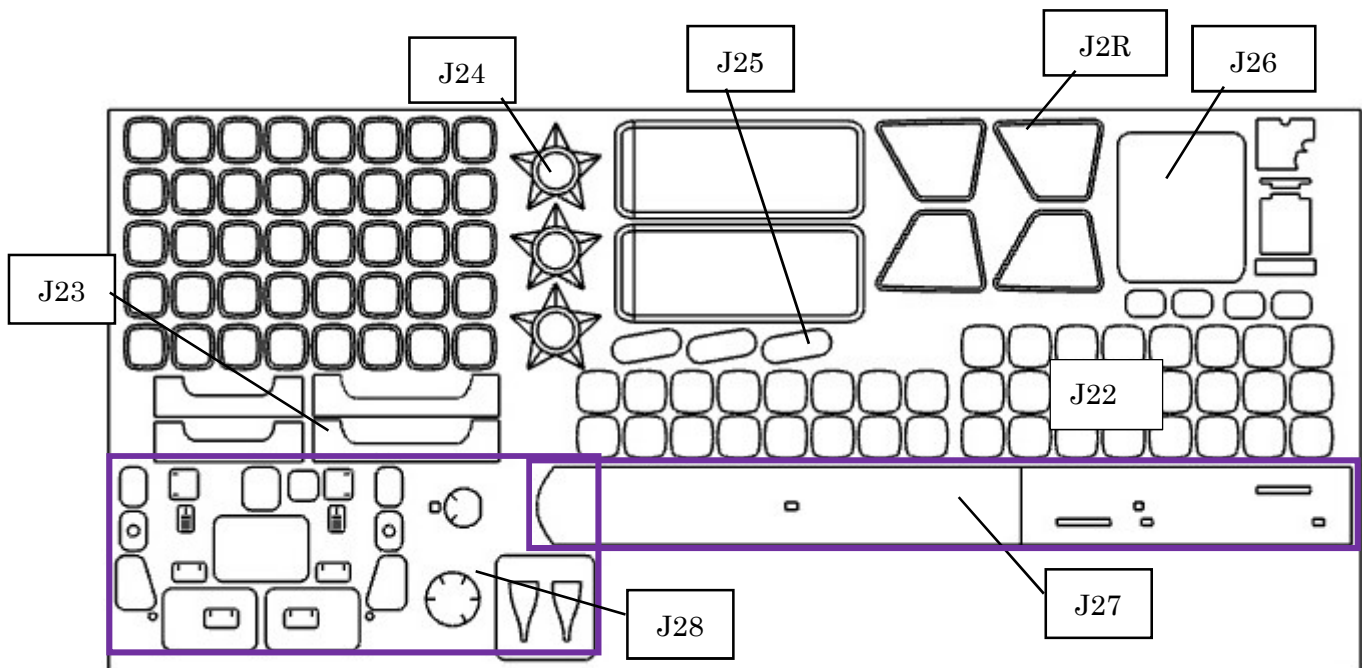


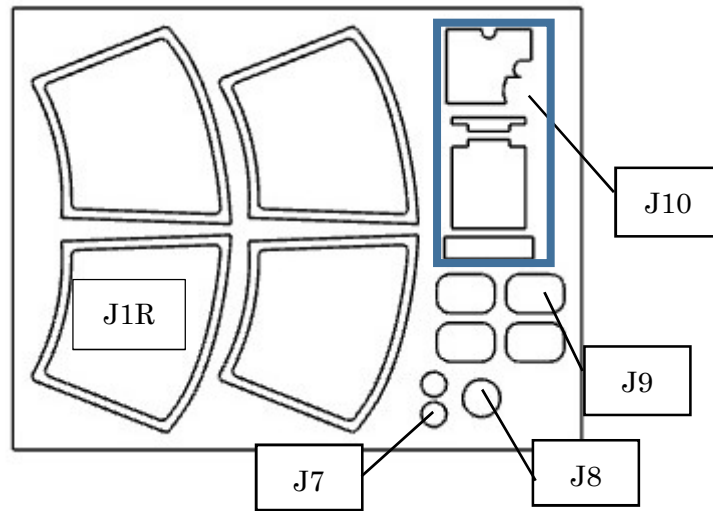
As for 1/72 kit, G1A and G2B are integrated as G1.



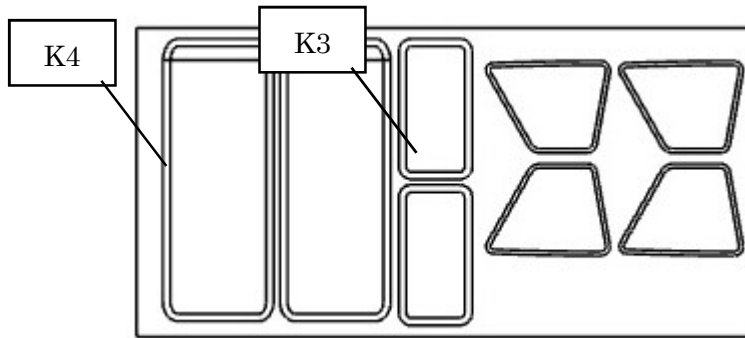


**Sticker grey**

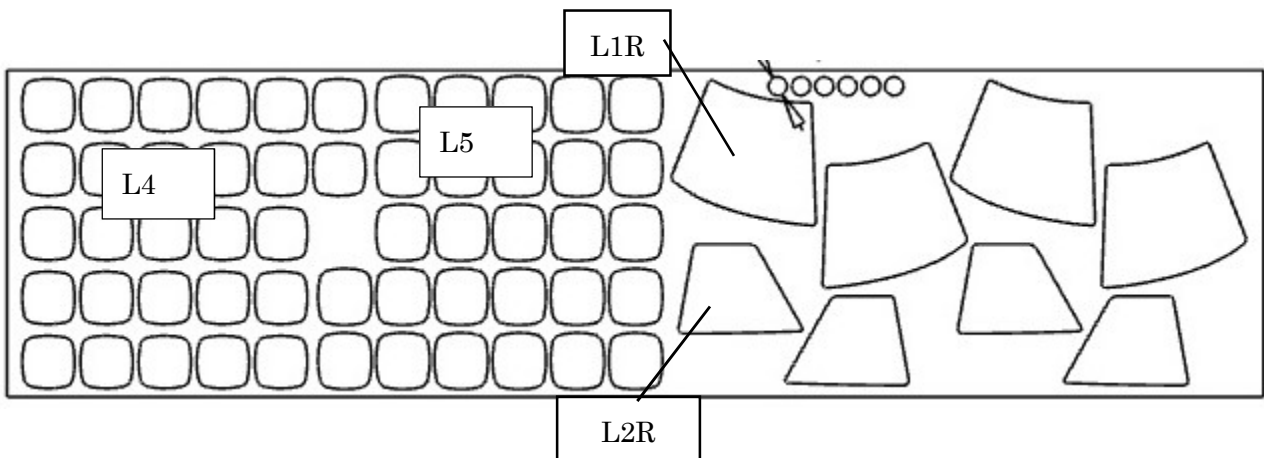




Sticker white



Clear tape for window





Dowels 1/72:  $\phi 0.3\text{mm}$  1/48:  $\phi 0.6\text{mm}$  1/32:  $\phi 0.8\text{mm}$  brass rod

Sand paper set and PS plate

