



## Wide, Hard, and Long Scale Model Series

### 1/72&1/48 scale Armstrong Whitworth Ensign kit

September 1, 2022 Edition

Size dimension in this instruction is “millimeters” .

Designed by Toshihiko Shimizu

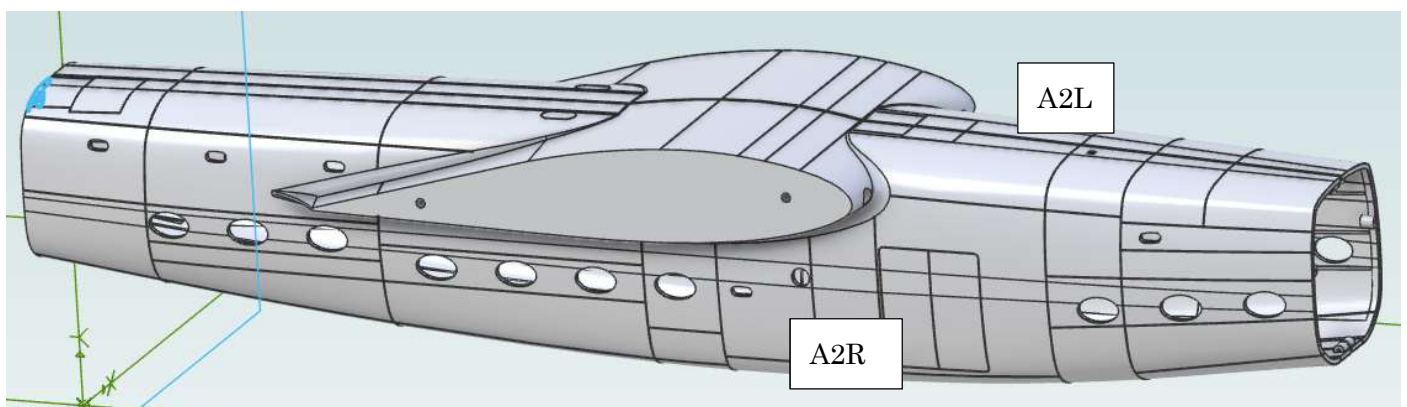
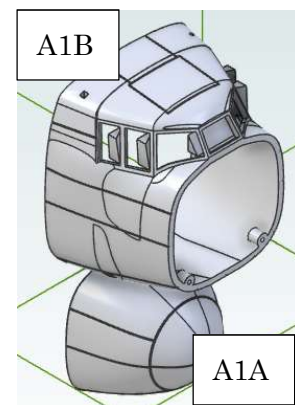
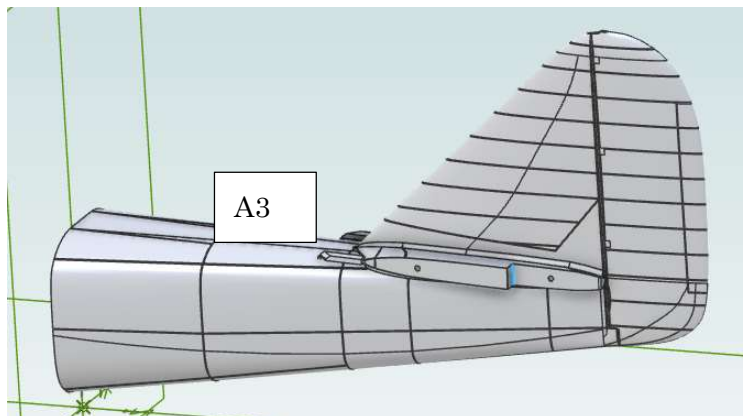
Printed in Japan

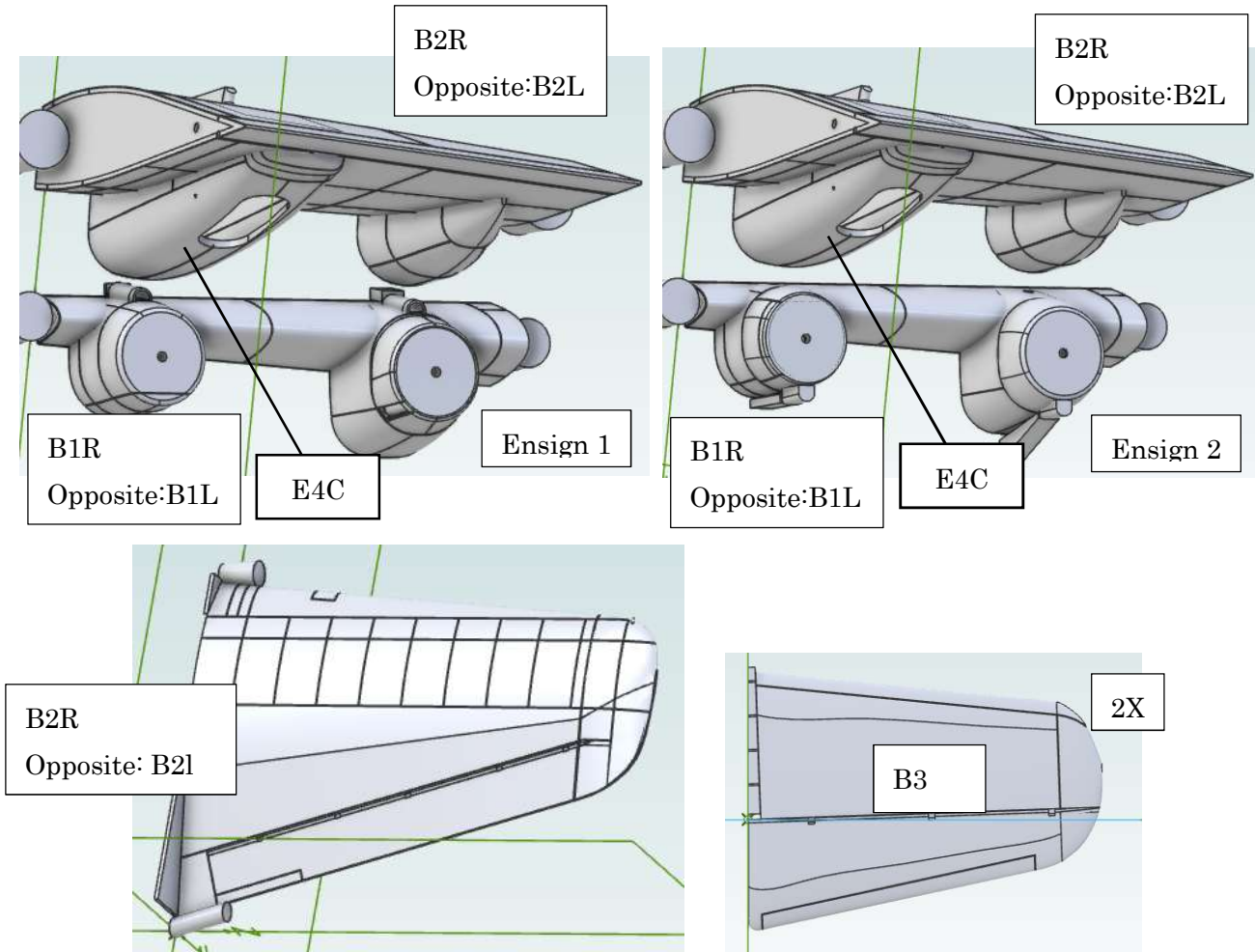
ABS and resin for 3D printers Made in China

## 1 The kit inbox

Wing and fuselage

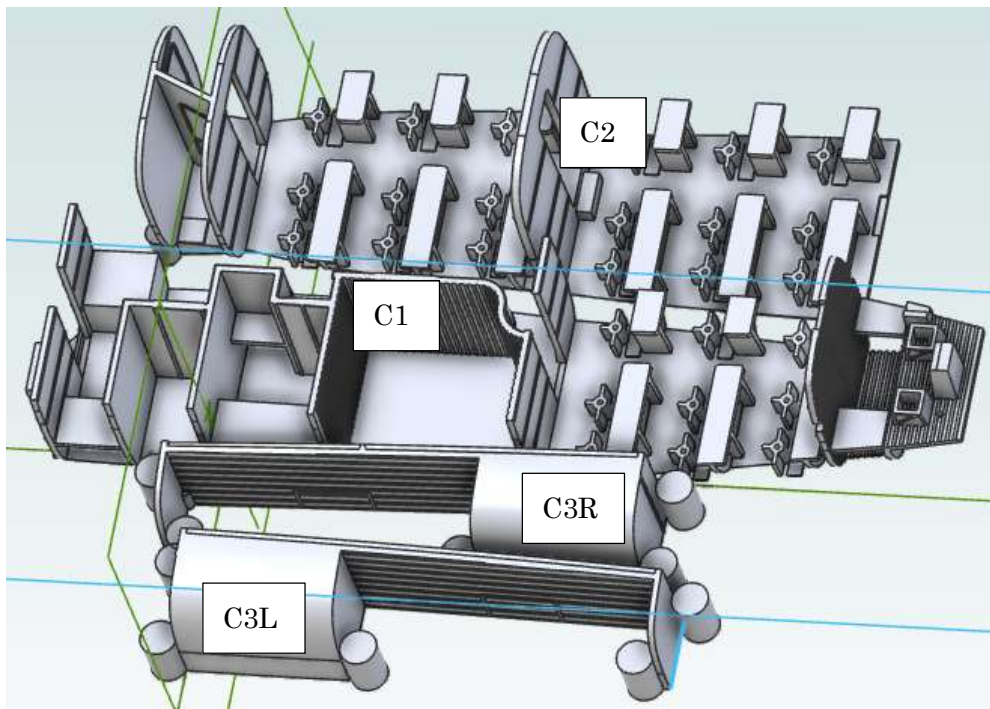
(inside and outside burr should be removed carefully before painting or assembling)





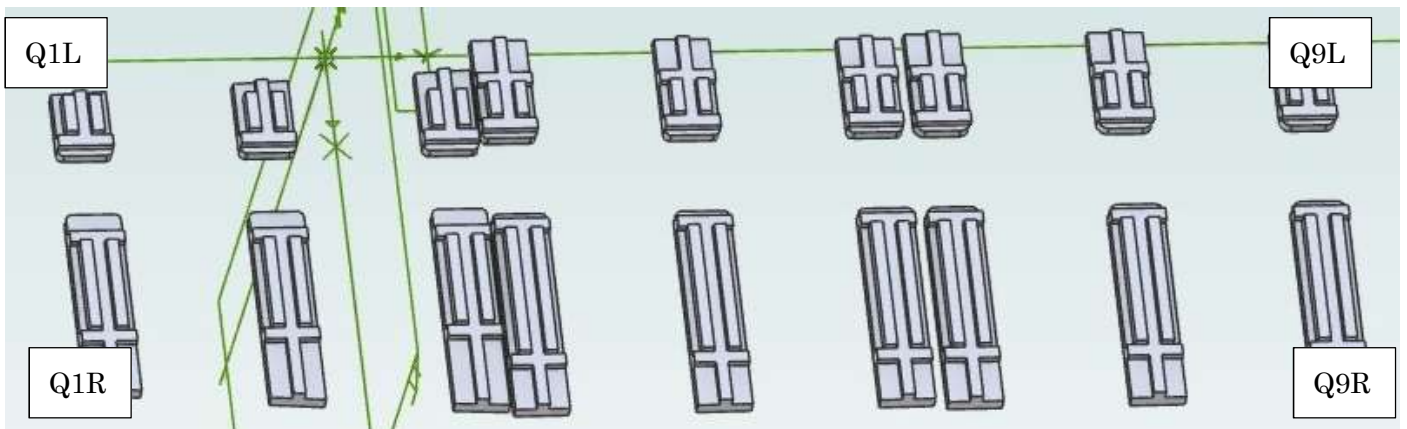
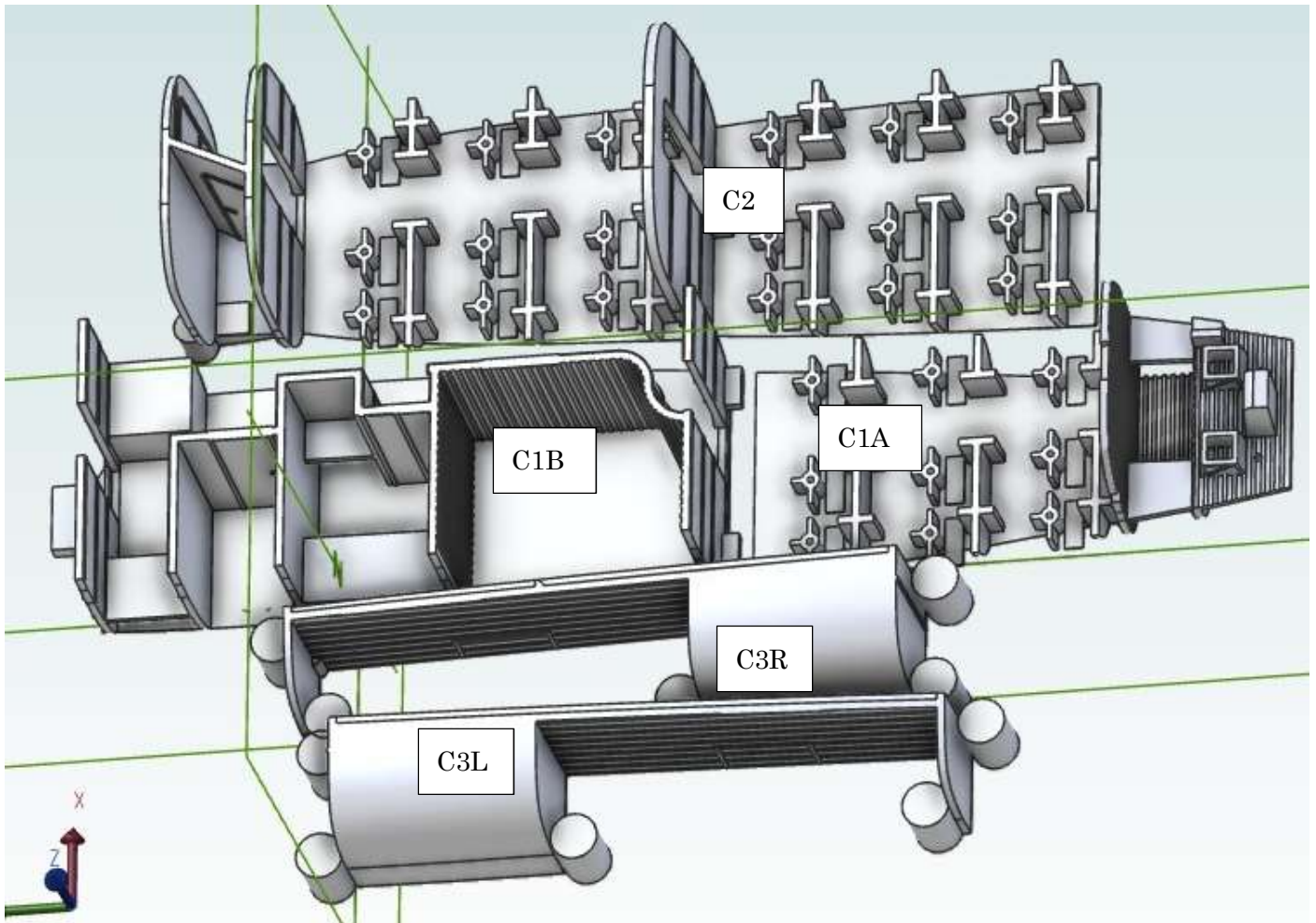
Interior and exterior accessories

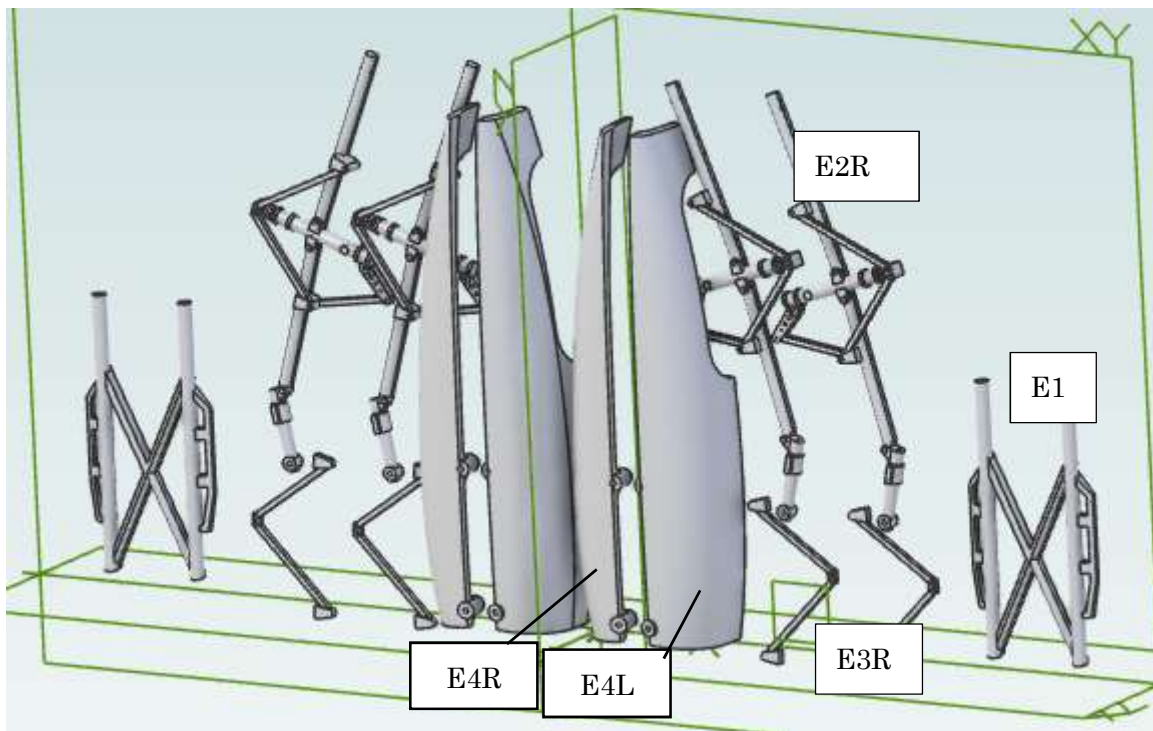
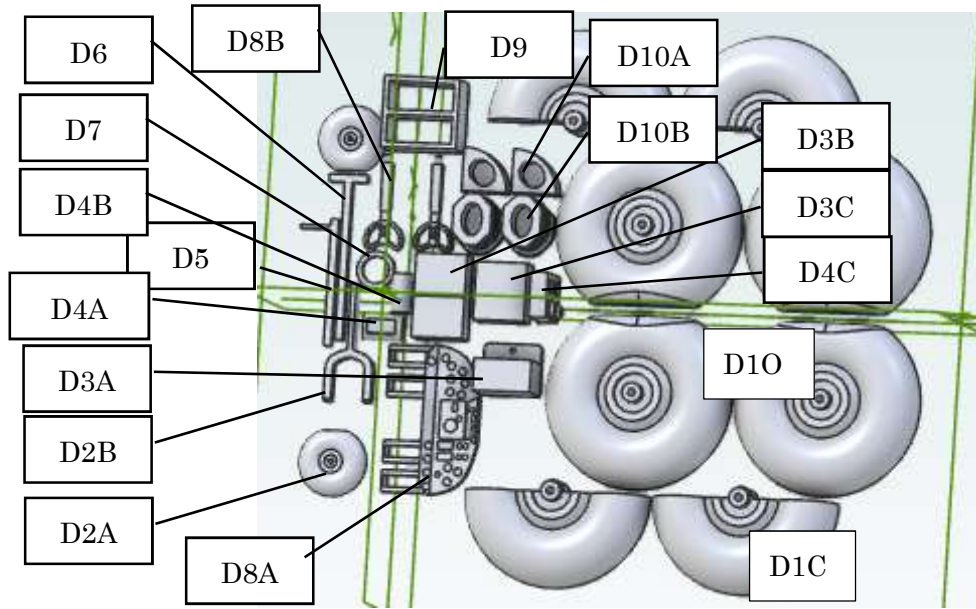
Before SN52 except for SN51



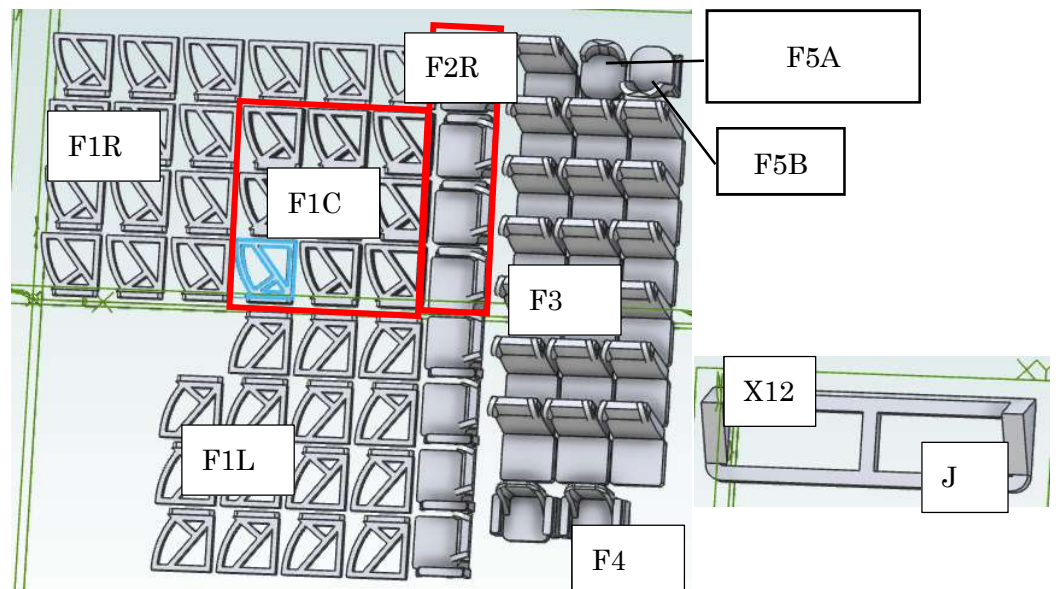
SN51 and After SN53

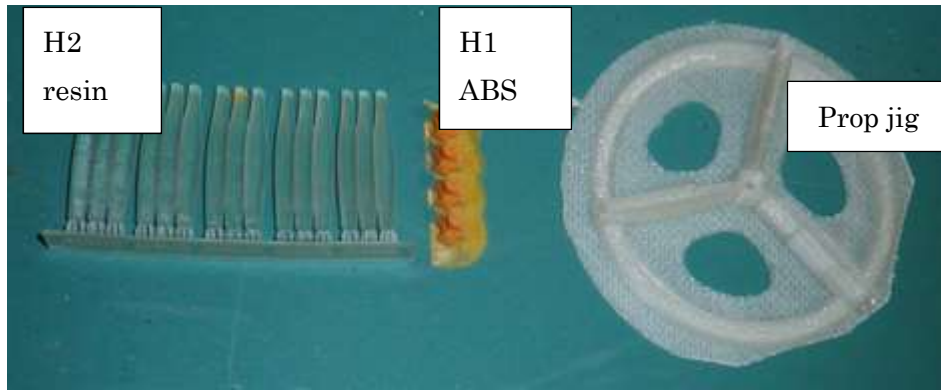
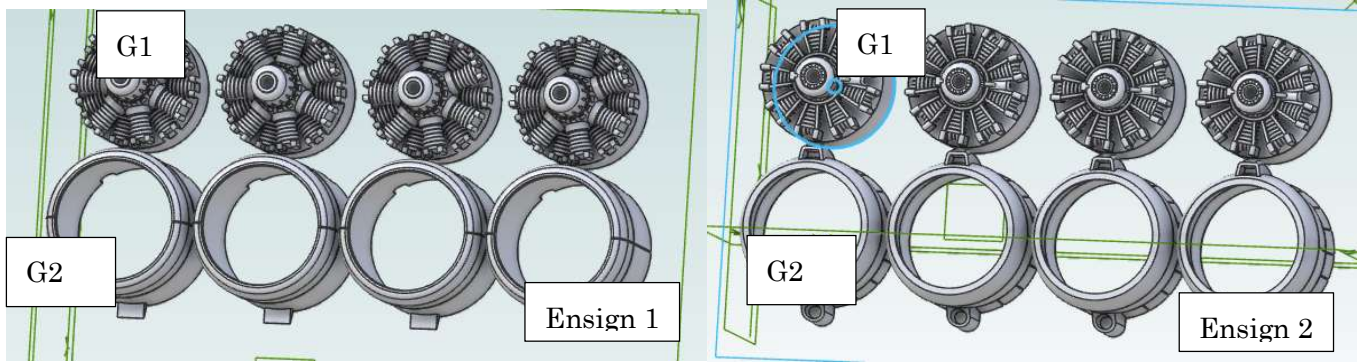
I separated C1 and passenger tables.





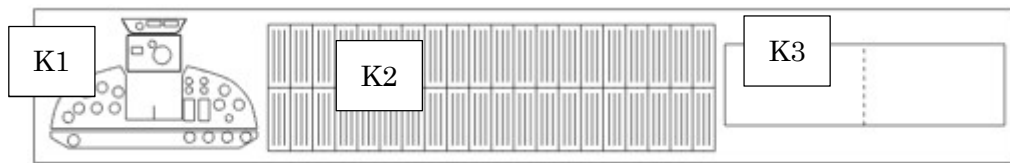
Opposite E3R is E3L!!



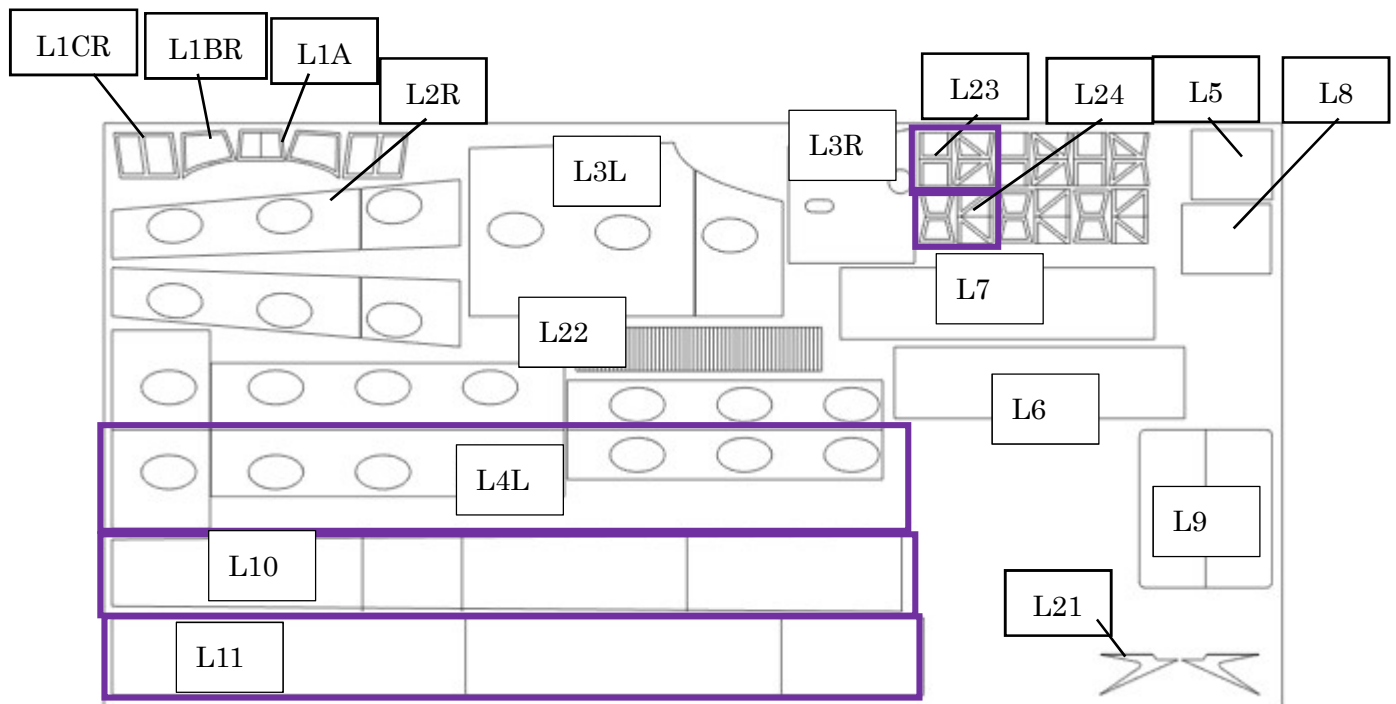


Sticker surface is paintable.

Sticker white

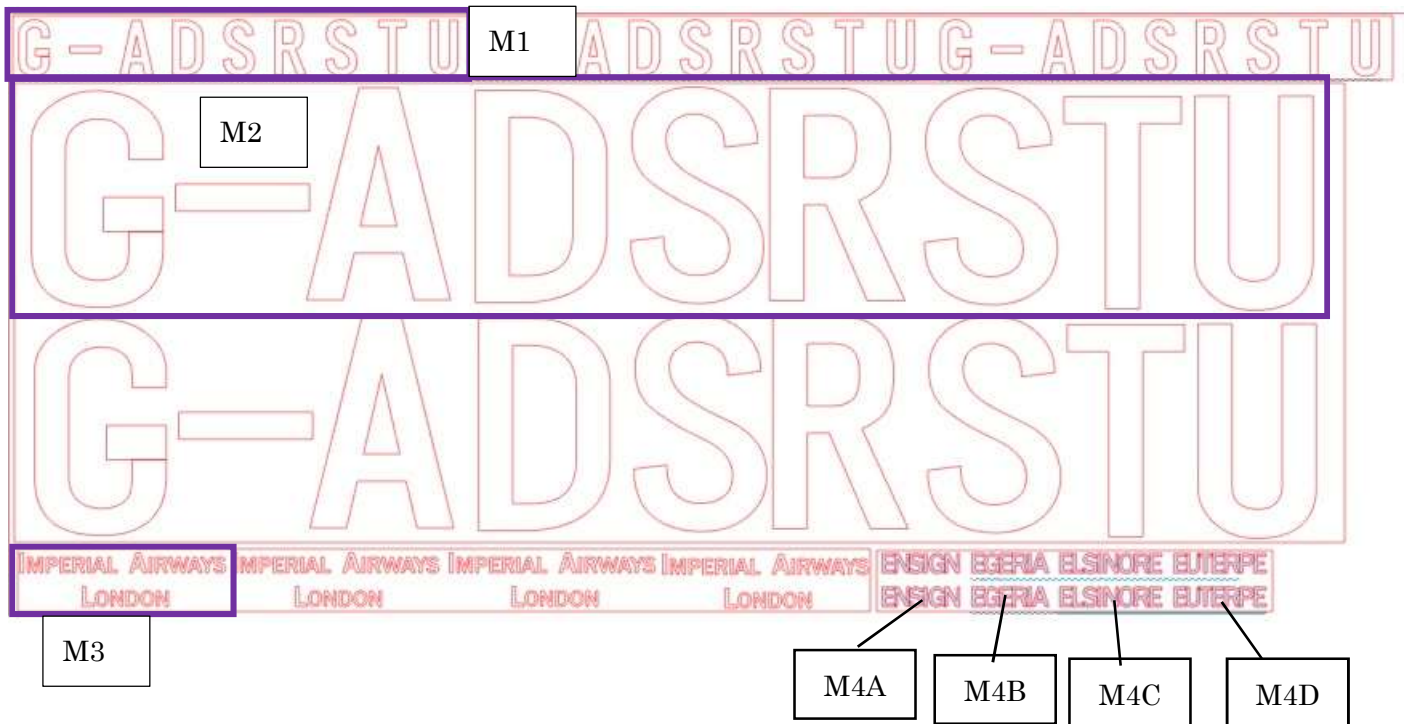


Sticker black or silver

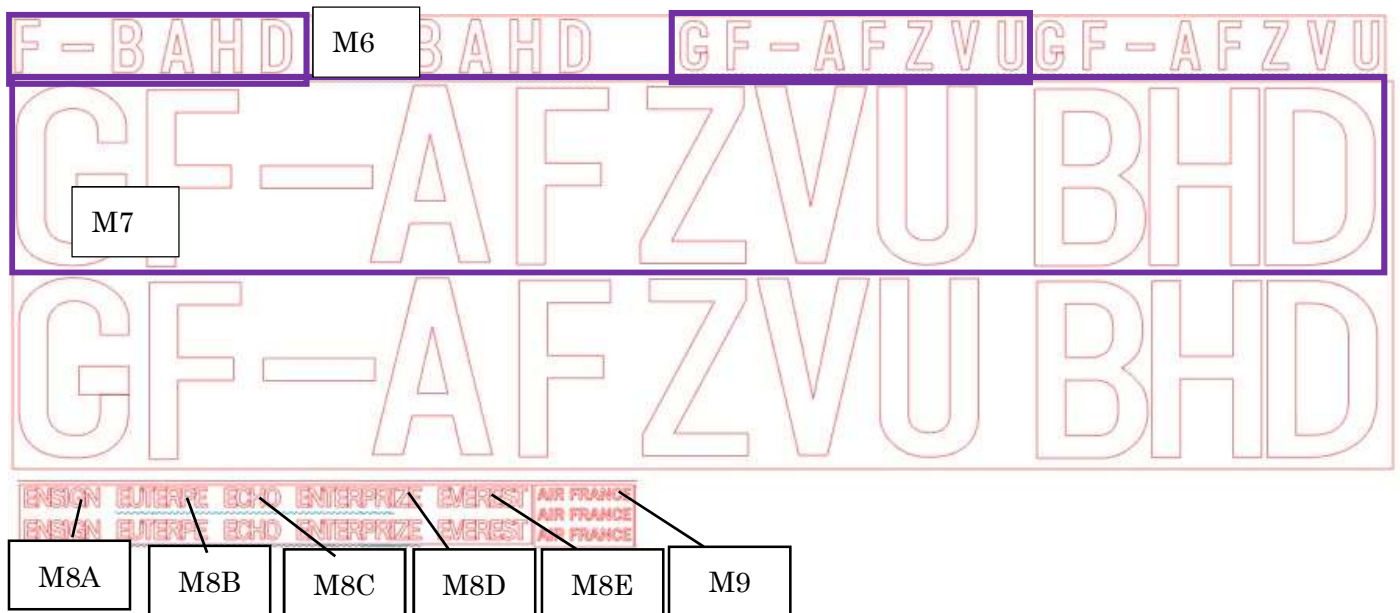


Opposite E3R is E3L!!

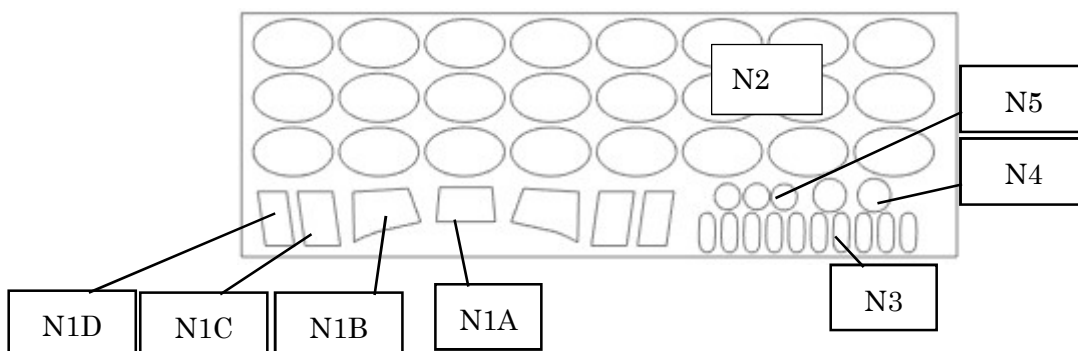
Character sticker for Ensign 1 royal blue



Character sticker for Ensign 2 black

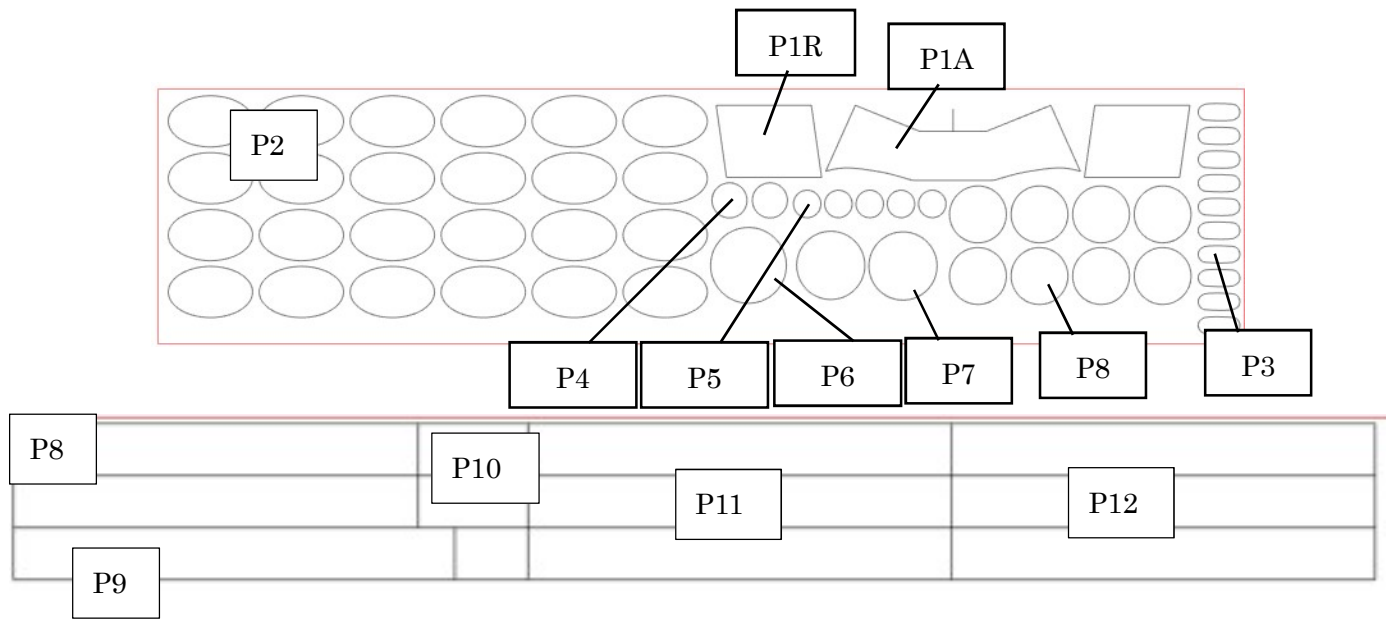


Window (0.1mm thickness poly styrene clear sheet)



Opposite E3R is E3L!!

Clear tape for passenger window



Opposite E3R is E3L!!

Masking tape



Net for baggage rack (from SN4)



Rod parts

1/72:  $\phi$ 1.8mm bamboo,  $\phi$ 0.6, 0.8, 1.2mm brass rod,  $\phi$ 1.0mm PS rod,  $\phi$ 1.8mm aluminum wire

1/48:  $\phi$ 3.0, 1.8mm bamboo,  $\phi$ 0.8, 1.2mm brass rod,  $\phi$ 2.5mm aluminum wire



Sand paper set and PS plate



